

## Motorized Yoke

Product Manual

English

# Table of Contents

<b>Introduction</b> .....	04
<b>Components List</b> .....	05
<b>Product Overview</b> .....	06
<b>Setup</b> .....	06
1. Installation of Motorized Yoke .....	06
1.1 Attaching the Junior Pin Attachment .....	07
1.2 Attaching the Pipe Clamp Adapters .....	09
2. Attaching the CS15/XT26 to the Motorized Yoke.....	10
2.1 Motorized Yoke Orientation Settings.....	10
2.1.1 Switching the Pitch Origin.....	11
2.1.2 Reset .....	11
2.2 Use Case Scenarios .....	12
2.2.1 When utilizing the Junior Pin Attachment .....	12
2.2.2 When utilizing the Pipe Clamp Adapters .....	12
3. Header Cable Connections .....	13
3.1 Lamp to Yoke Connection .....	13
3.2 Yoke to Control Box Connection:.....	14
<b>Operating Instructions</b> .....	16
1. Manual Control and Setting Adjustments with the Control Box .....	16
1.1 Operation Interface .....	16
1.2 Accessory Selection.....	17
1.3 The Maximum Range for Pan with the Accessory.....	18
1.4 The Maximum Range for Tilt with the Accessory .....	18
1.5 Recalibrating the Motorized Yoke .....	19
1.6 Unlocking the automatic Motion Restrictions .....	19
2. DMX .....	20
3. Enabling the Motorized York for DMX Control.....	20
4. Art-Net/sACN .....	20
5. CRMX .....	20
6. Sidus BT .....	20

Product Specifications .....	21
Pitch and Horizontal Ranges for Compatible Accessories .....	22
Safety Instructions .....	23
FCC Compliance Statement .....	24
RF Statement .....	25
<b>Disclaimer</b> .....	<b>26</b>

# Introduction

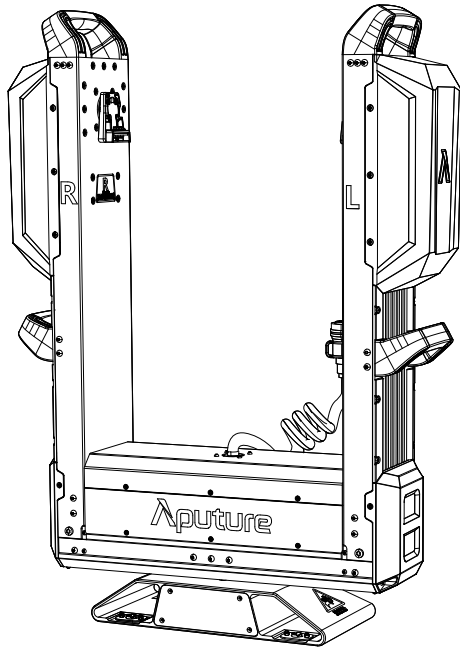
Thank you for purchasing the Aputure Motorized Yoke.

The Aputure Motorized Yoke is an electric pan and tilt kit suitable for use with the Aputure Electro Storm CS15 and XT26; it can achieve 270-degree tilt and 540-degree horizontal rotation.

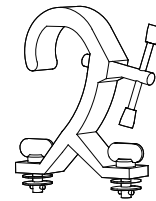
Utilizing electric contacts, the Aputure Motorized Yoke can automatically recognize a connected CS15 or XT26 along with any attached Aputure Mount accessory; the combined Yoke, Fixture and Accessory can then be controlled remotely utilizing DMX, Art-Net/sACN, CRMX, Sidus BT or manually with the Control Box.

# Components List

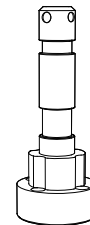
Please check whether the following items are contained in the package before using the product.  
Please contact your dealer if there are any missing items.



Motorized Yoke x 1



Pipe Clamp Adapter x 2



Junior Pin Attachment x 1



Spring washer x 6  
(spare x 2)



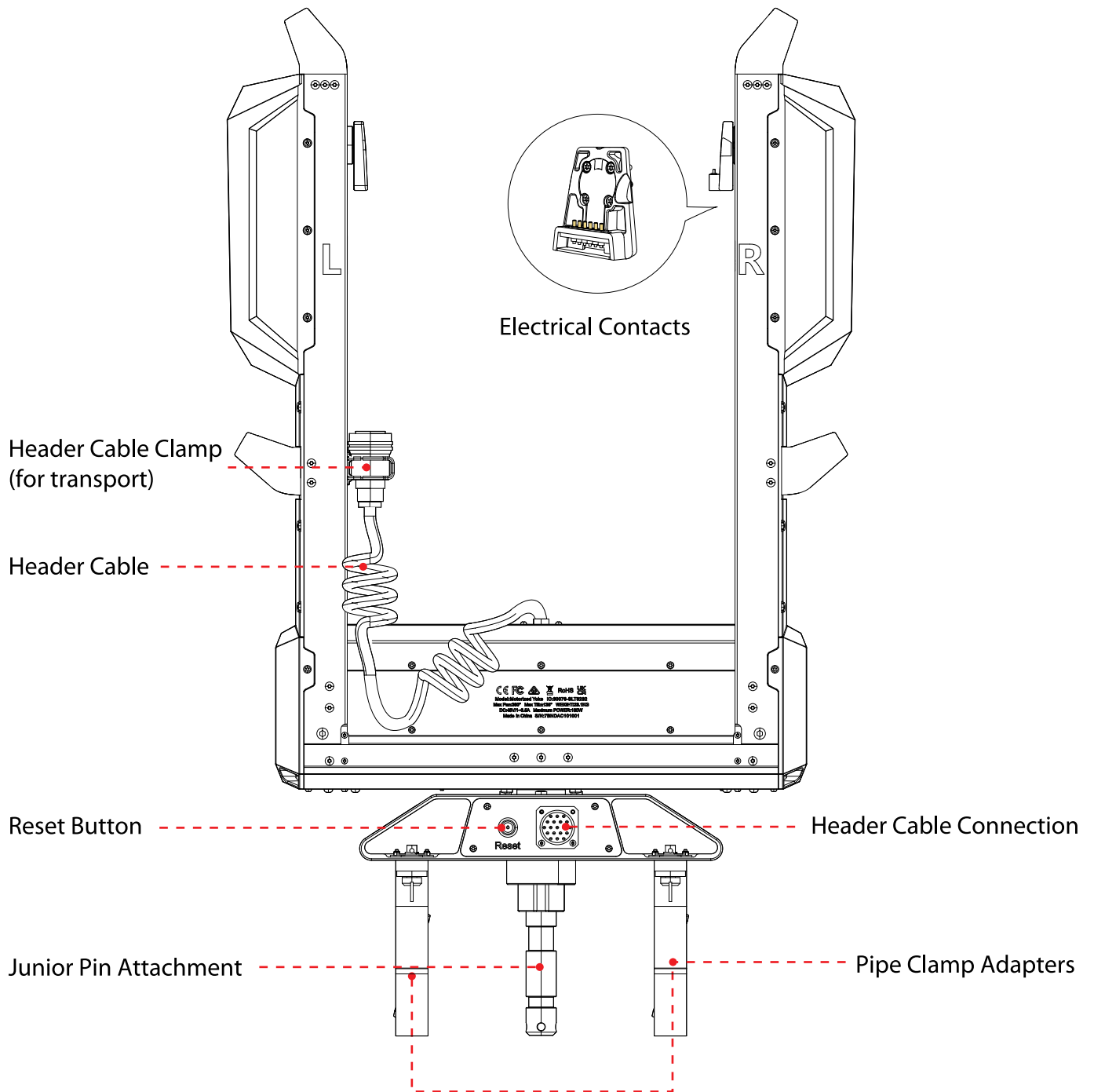
Screws x 6  
(spare x 2)



Installation tools x 1

\* All illustrations in this manual are for reference only. The physical product may differ from the schematic diagram due to continuous updates and upgrades.

# Product Overview

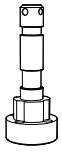


## Setup

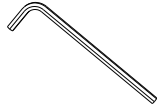
### 1. Installation of Motorized Yoke

The Motorized Yoke can be mounted on light stands using the Junior Pin Attachment or mounted on trusses using the Pipe Clamp Adapters.

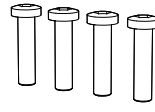
## 1.1 Attaching the Junior Pin Attachment



Junior Pin Attachment



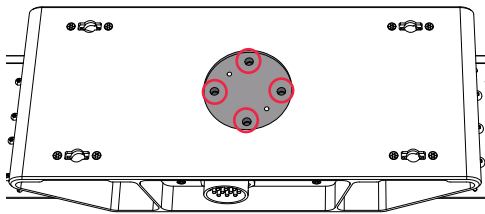
Hex Key



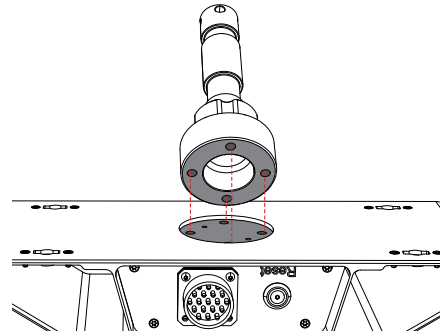
M6 Screws x 4



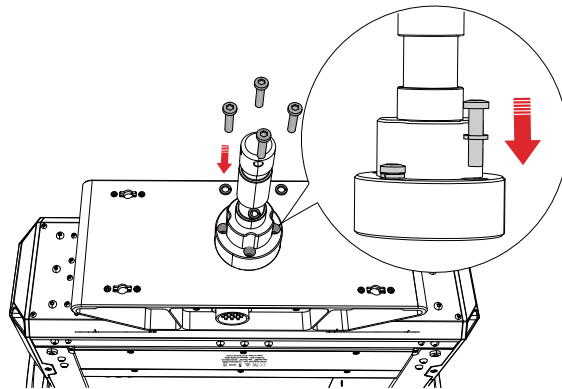
Spring Washers x4



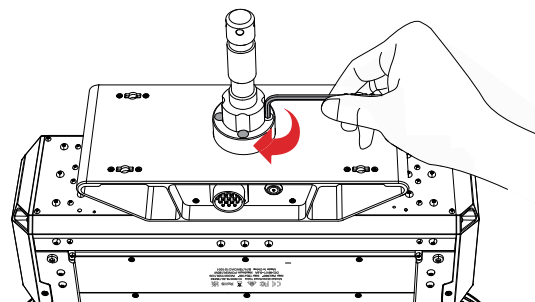
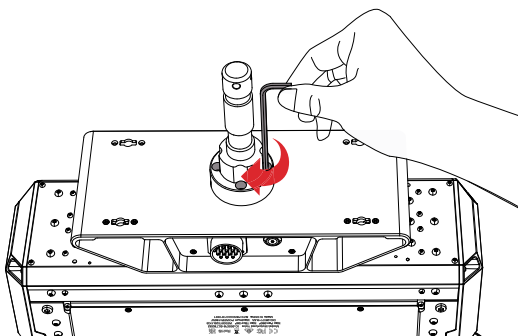
(1) Junior Pin Mounting Holes



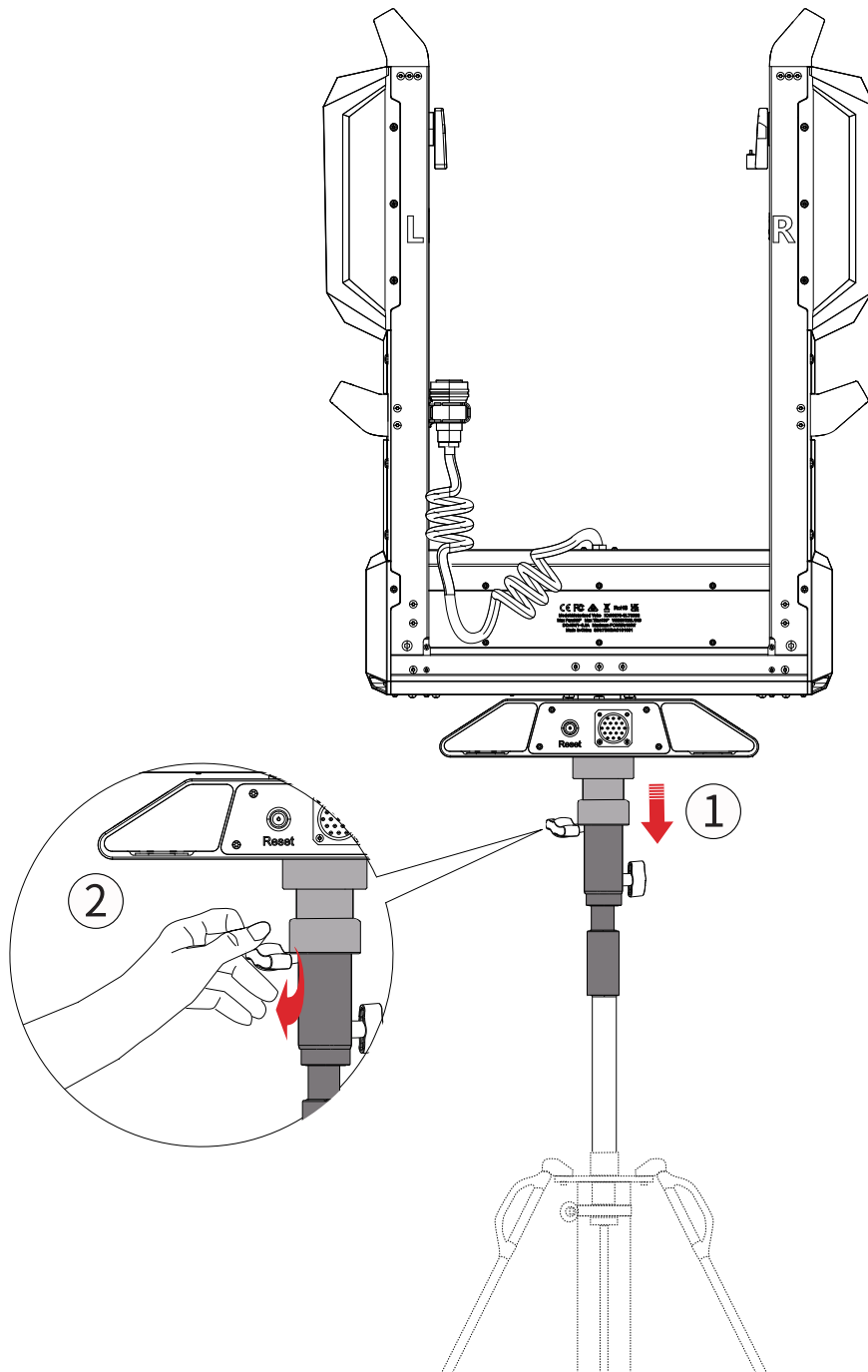
(2) Align Mounting Holes



(3) Insert Screws through Spring Washers and Attachment into Mounting Holes



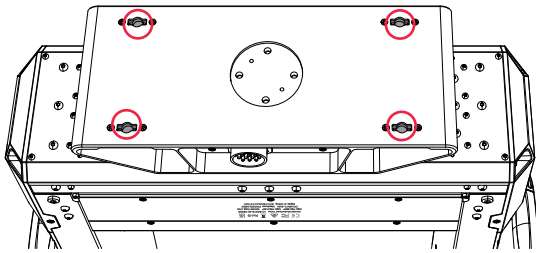
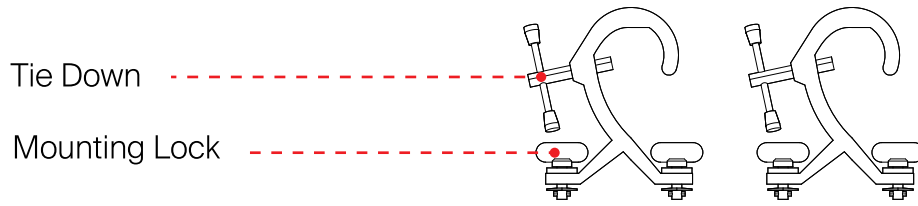
(4) Tighten with Hex Key



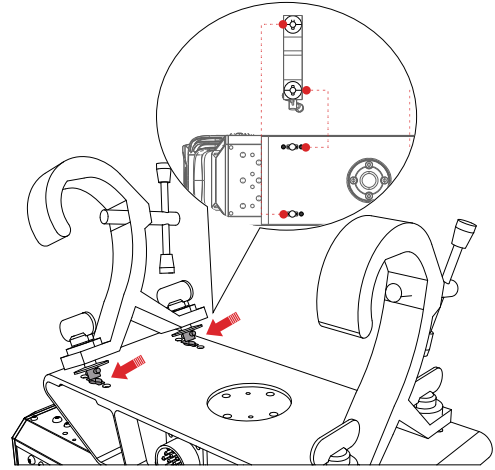
(5) Install the Motorized Yoke to the light stand



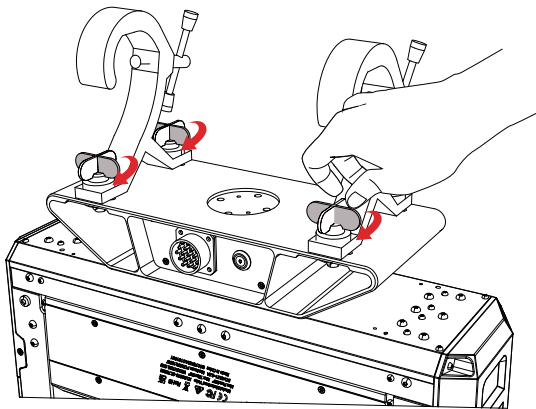
## 1.2 Attaching the Pipe Clamp Adapters



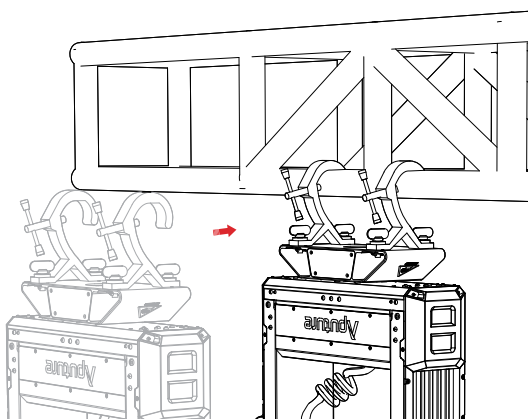
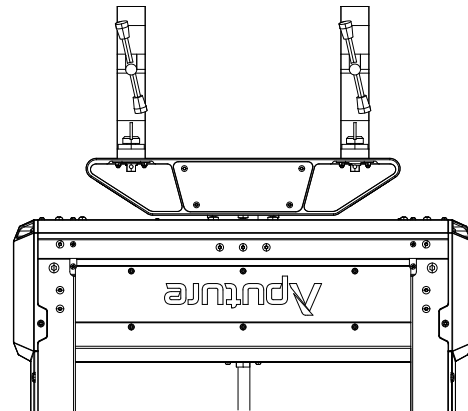
(1) Mounting Lock Holes



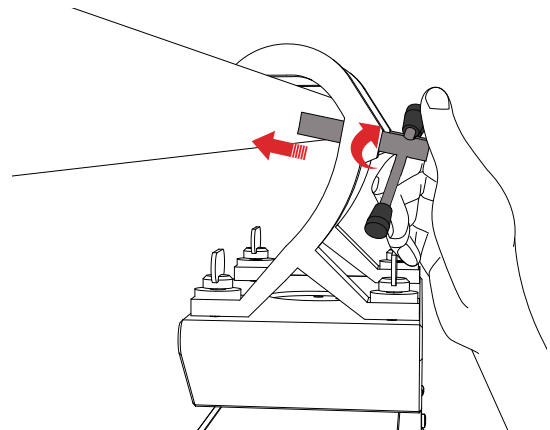
(2) Align Mounting Locks with Holes



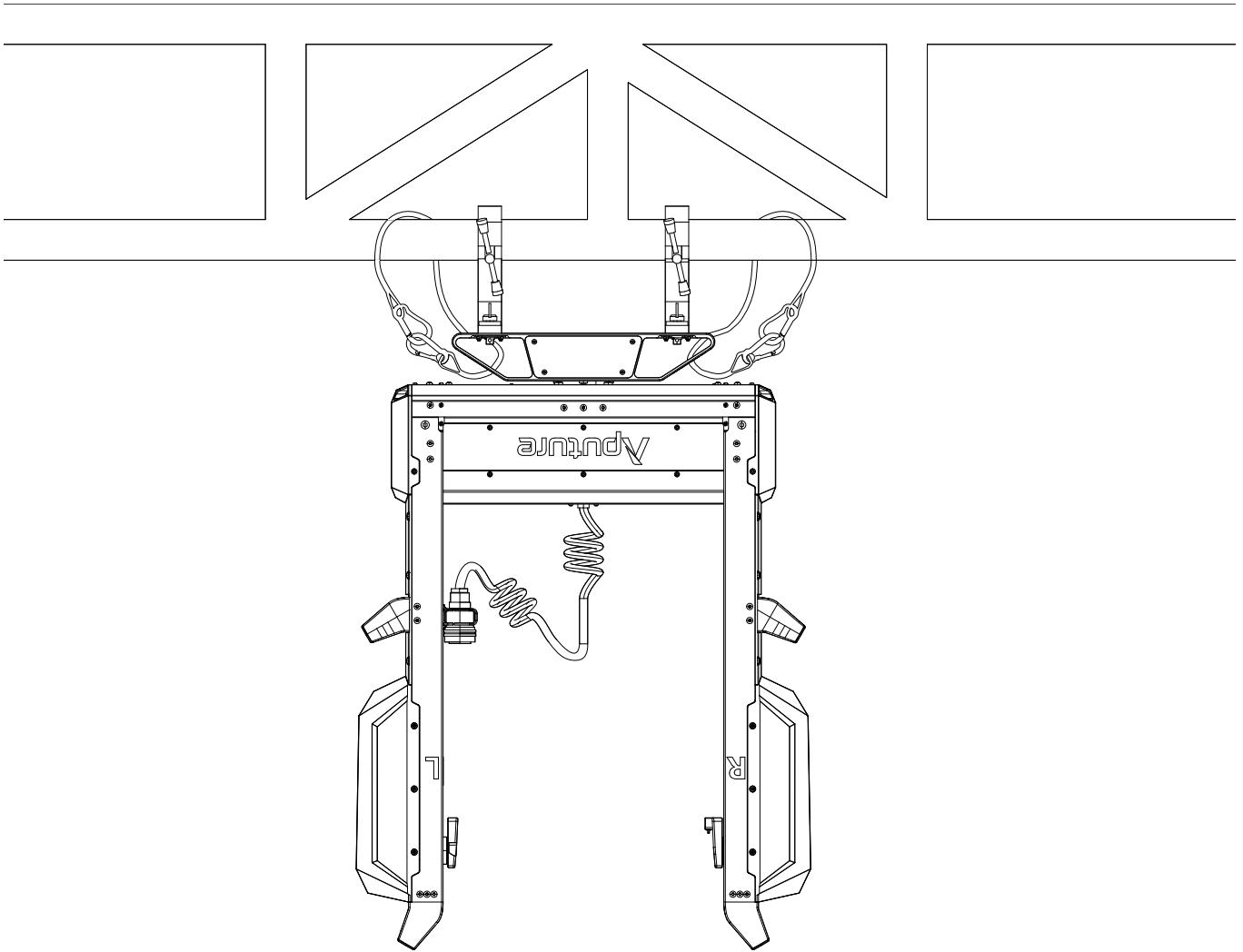
(3) Lock the Clamps



(4) Install the Motorized Yoke onto the truss



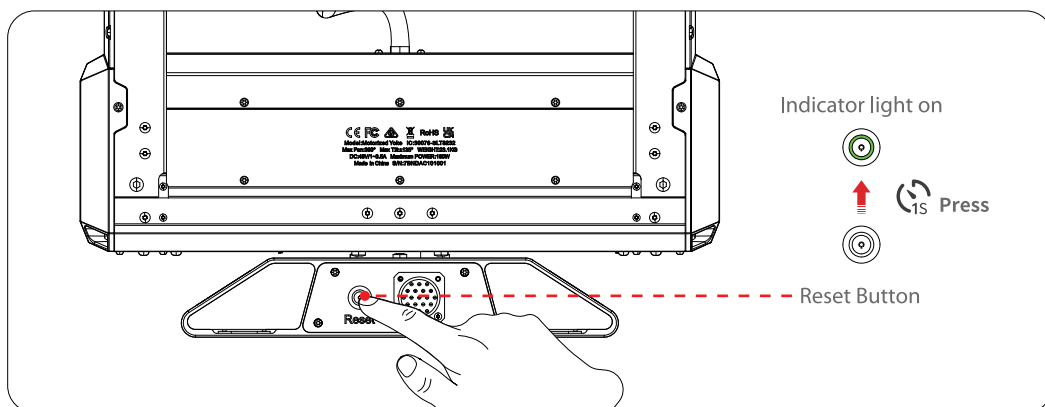
(5) Tighten the Tie Downs



## 2 . Attaching the CS15/XT26 to the Motorized Yoke

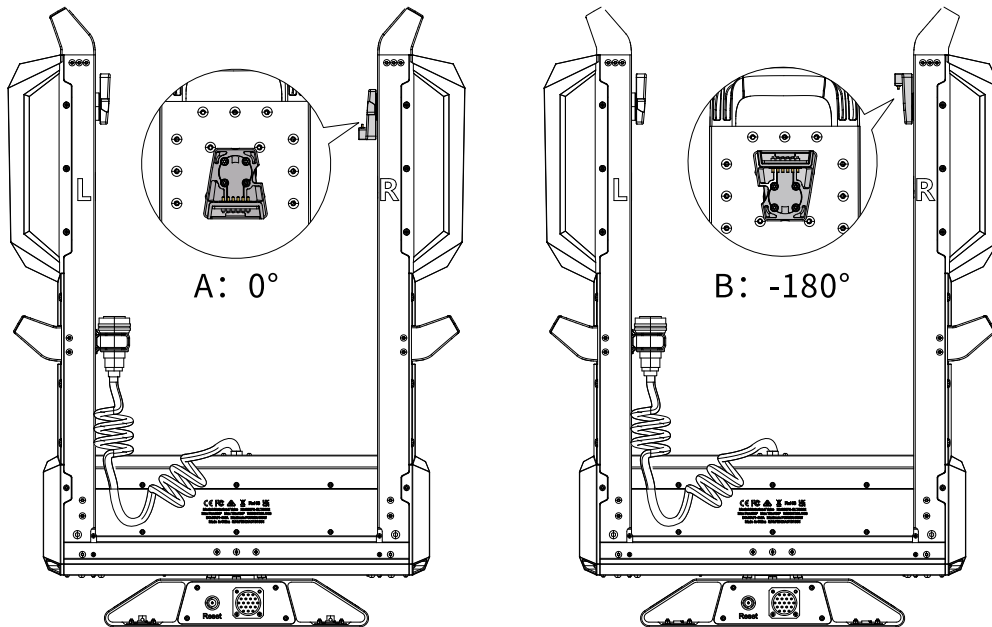
### 2.1. Motorized Yoke Orientation Settings

Press and hold the "Reset" button for 1 second to activate the "Reset" indicator light. Once activated, the "Reset" button now actively changes the settings on the Motorized Yoke



## 2.1.1 Switching the Pitch Origin

- ① Pitch origin: origin A:  $0^{\circ}$  (default), origin B:  $-180^{\circ}$ ;
- ② Once the "Reset" button is activated, press and hold the button for 3 seconds to switch the origin of the Electrical Contacts bracket between origin "A" and origin "B".



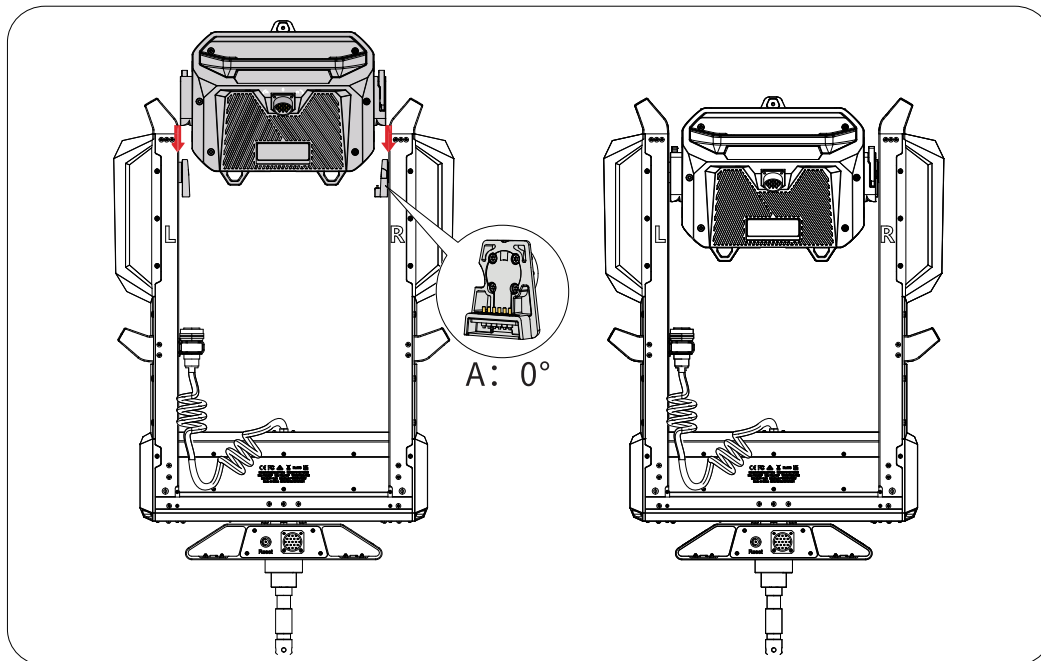
## 2.1.2 Reset

Press and hold the button for 3 seconds to reset the position of lamp head in the Motorized Yoke to  $90^{\circ}$ . If the button is held after the head is at  $90^{\circ}$ , it will reset to  $-90^{\circ}$ .

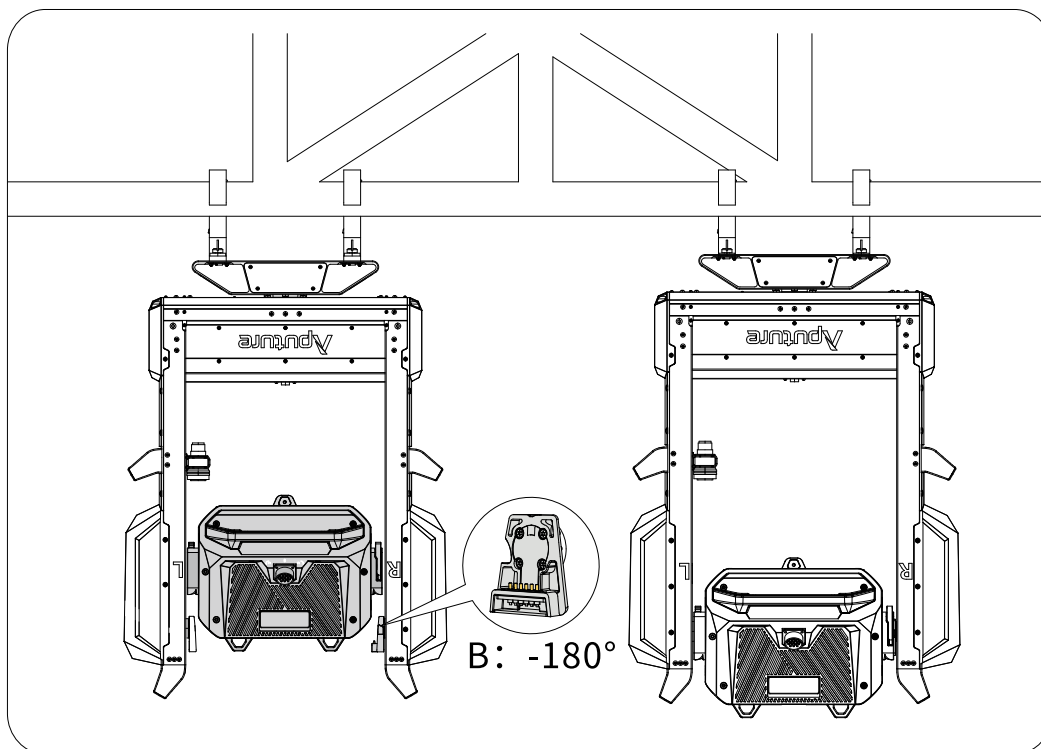
\* *The Motorized Yoke has an internal battery to allow for setup before power is supplied to the Yoke.*

## 2.2 Use Case Scenarios

2.2.1 When utilizing the Junior Pin Attachment and a stand, choose the A: 0° Pitch Origin:

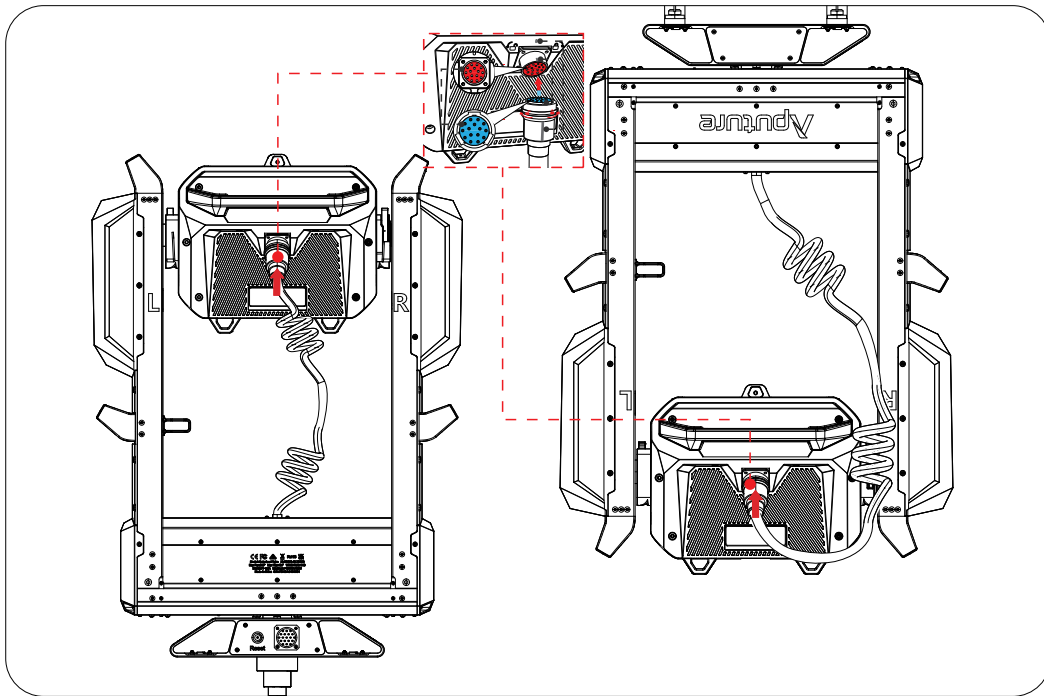


2.2.2 When utilizing the Pipe Clamp Adapters and a truss, choose the B: -180° Pitch Origin:

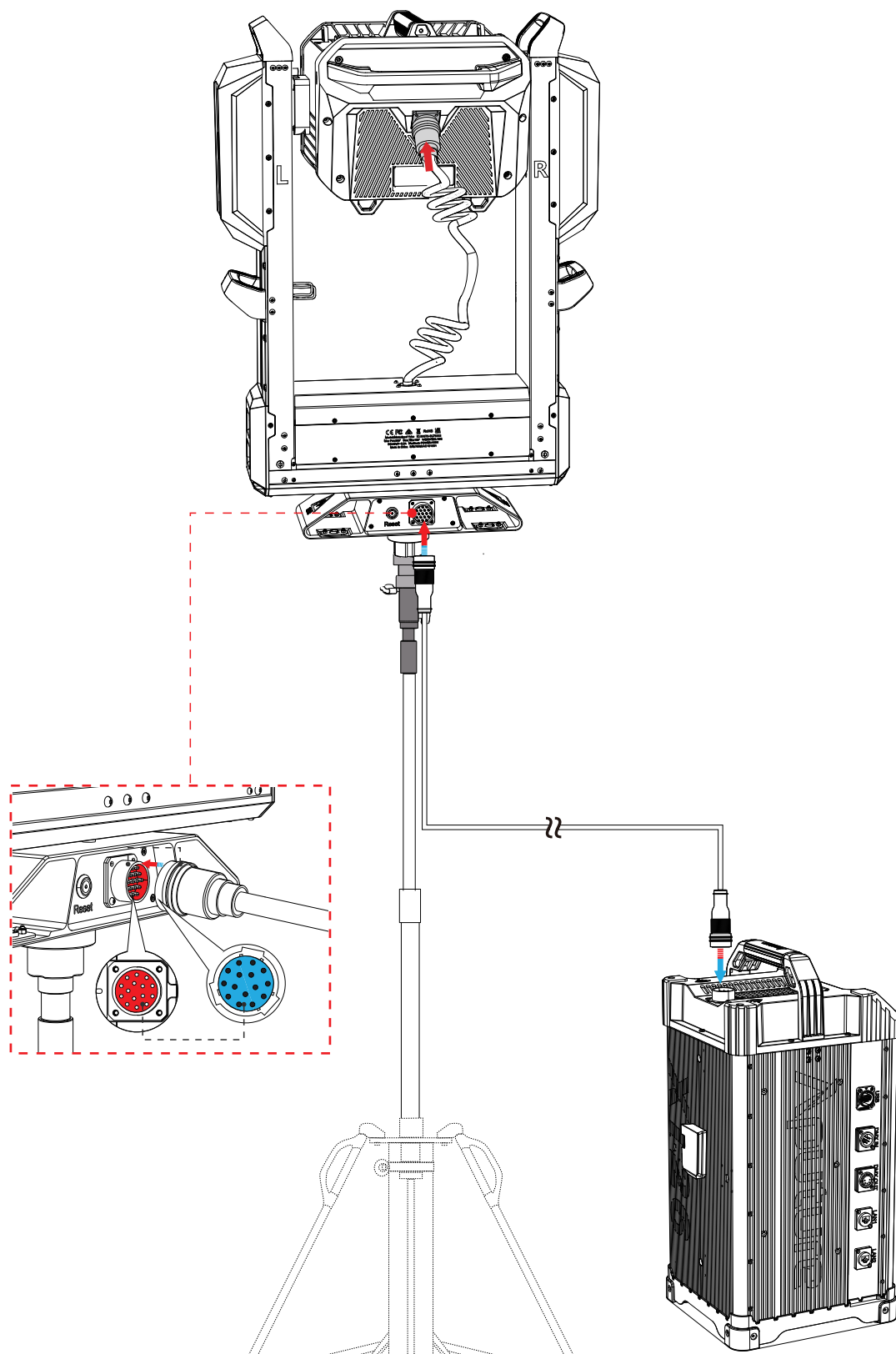


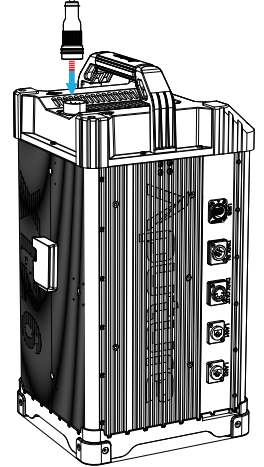
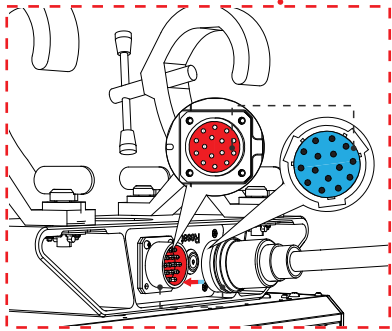
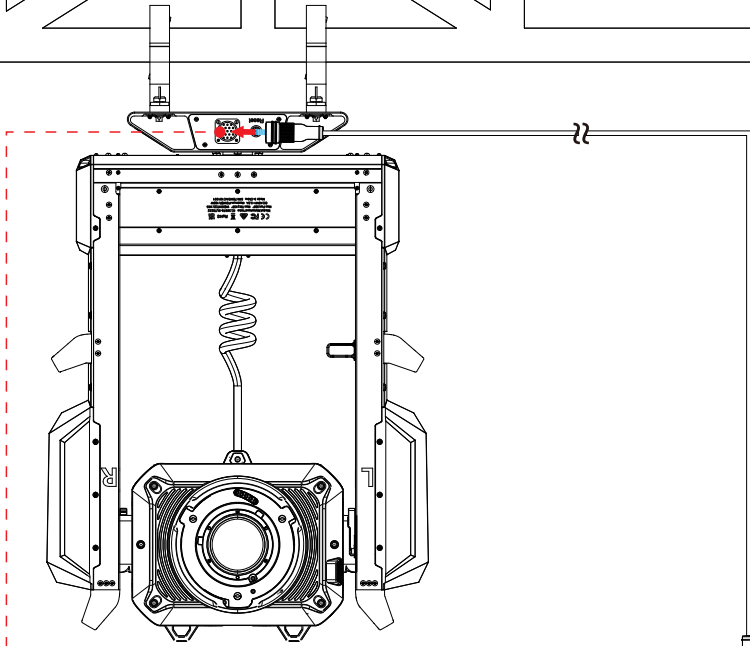
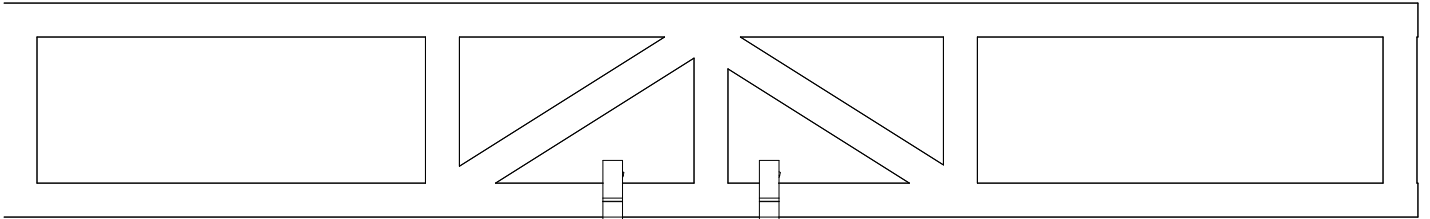
### 3. Header Cable Connections

#### 3.1 Lamp to Yoke Connection:



### 3.2 Yoke to Control Box Connection:



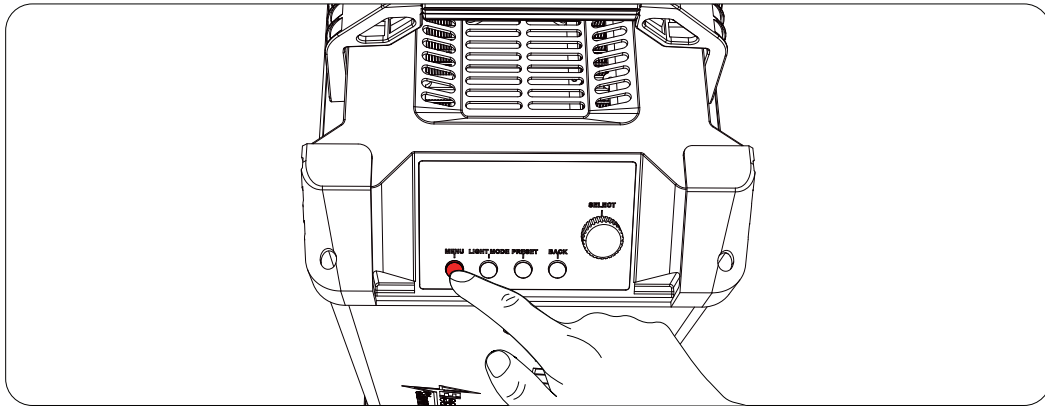


# Operating Instructions

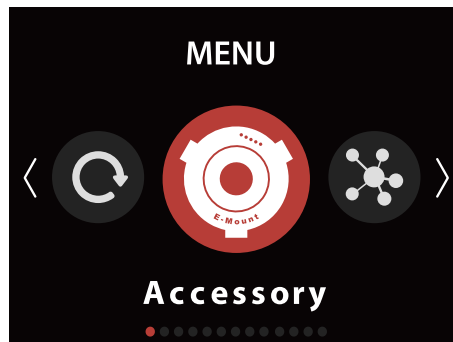
## 1. Manual Control and Setting Adjustments with the Control Box

### 1.1 Operation Interface

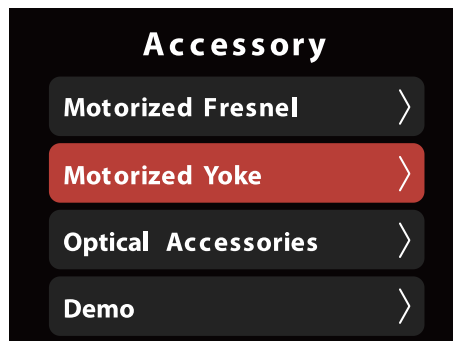
- ① Press the MENU Button to enter the User Settings Interface



- ② Select "Accessory"

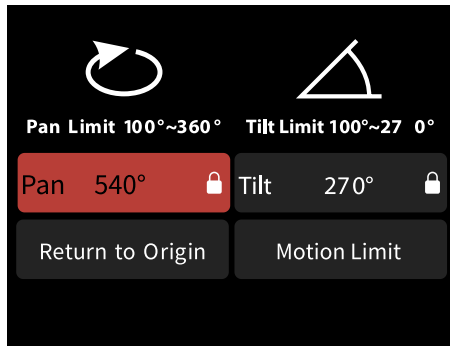


- ③ Select "Motorized Yoke"



You can adjust the Pan and Tilt angle of the Motorized Yoke. You can also recalibrate the Motorized Yoke by selecting Return to Origin.





## 1.2 Accessory Selection

When the lamp head is equipped with different accessories, the range of movement of the Motorized Yoke can be different.

### ① Aputure Mount Accessories

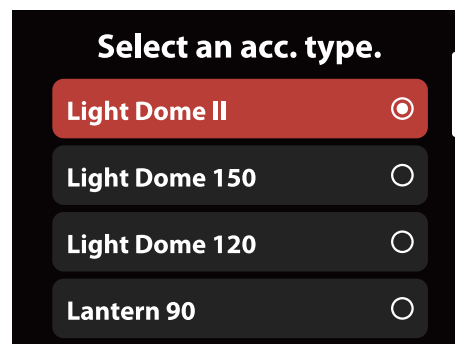
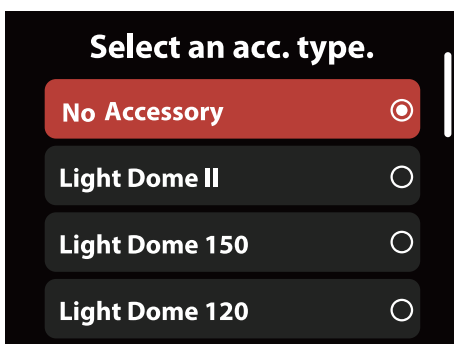
When installing Aputure-Mount accessories on the lamp, the Motorized Yoke will detect the accessory and will automatically adapt the movement range of the Motorized Yoke with the Aputure Mount (A-Mount) accessory.

### ② Non-Aputure Mount Accessories

When installing non-Aputure-Mount accessories on the lamp, you need to select the accessory you are using in the Motorized Yoke interface.

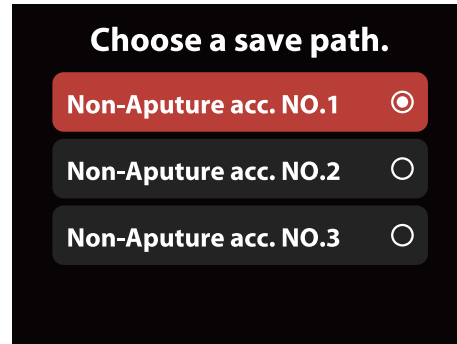
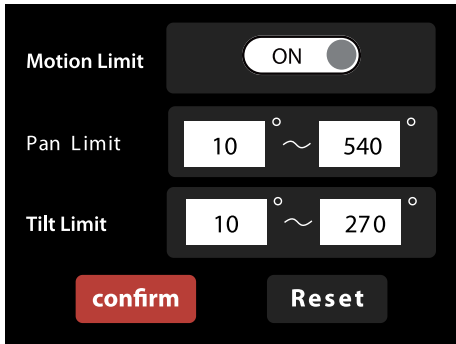
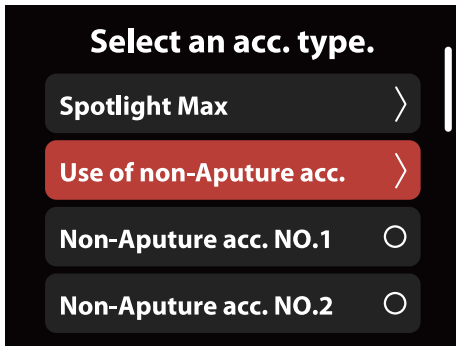
#### a. Aputure Bowen's Mount Accessory

When installing an Aputure Bowen's Mount Accessory, you can select the accessory you have attached from the list.



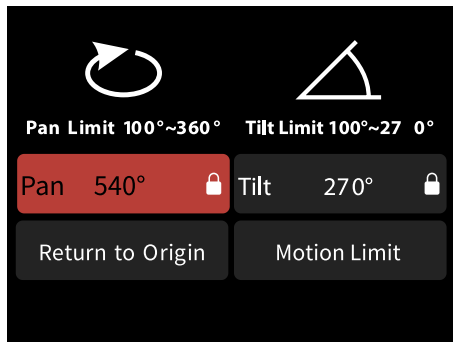
#### b. Third-Party Bowen's Mount Accessory

When choosing a third-party accessory, you need to enter the range of motion yourself to restrict the Motorized Yoke accordingly; you can save the accessory after the settings are completed to recall next time.



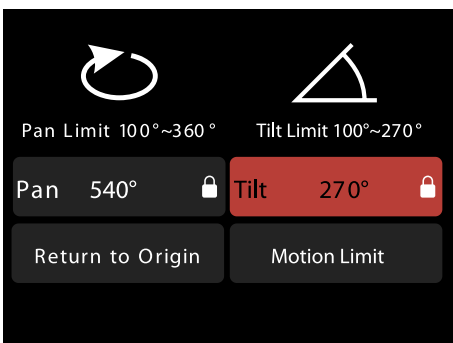
### 1.3 The Maximum Range for Pan with the Accessory

Range of adjustment angle: 0~540°



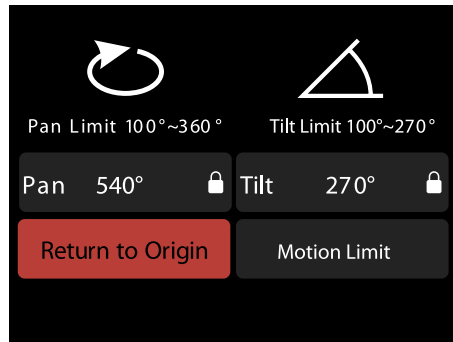
### 1.4 The Maximum Range for Tilt with the Accessory

Range of adjustment angle: 0~270°



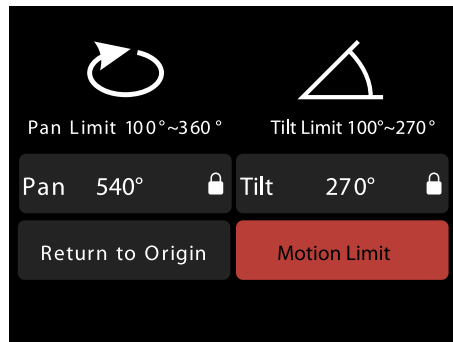
## 1.5 Recalibrating the Motorized Yoke

Return to Origin



## 1.6 Unlocking the automatic Motion Restrictions

Unlock the Pan and Tilt angle restrictions of the Motorized Yoke by selecting "Motion Limit".



## 2. DMX

The control device is connected to the DMX port of CS15/XT26, using the corresponding DMX channel table. (DMX channel table can be downloaded from Aputure official website)

## 3 . Enabling the Motorized York for DMX Control

### **Motorized Accessory extension:**

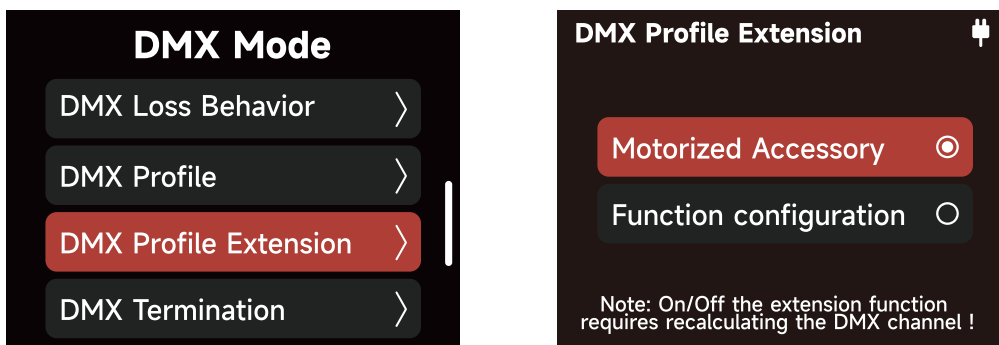
When the Motorized Accessory profile extension is enabled, the DMX profile includes the F14 and Motorized Yoke channels. When disabled, these accessories cannot be controlled.

(Note: Motorized Accessory extension is enabled by default.)

### **Function Configuration extension:**

When the Function Configuration profile extension is enabled, the DMX profile includes the Fan Mode and Dimming Curve channels.

(Note: Function Configuration extension is enabled by default. Function Configuration channels are added after Motorized Accessories channels when both extensions are enabled.)



## 4 . Art-Net/sACN

The control device is connected to the Ethernet port of the CS15/XT26, using the corresponding DMX channel table. (DMX channel table can be downloaded from Aputure official website)

## 5 . CRMX

The control device is connected to the CRMX of CS15/XT26, using the corresponding DMX channel table. (DMX channel table can be downloaded from Aputure official website)

## 6 . Sidus BT

Use Sidus Link APP to connect to the Sidus BT of CS15/XT26, and control the Motorized Yoke through the App.

## Product Information

Product name	Motorized yoke
Electrical parameters	48V3 . 5A Max
Pitch range of motion	270° (rate: 15 sec)
Horizontal range of motion	540 (rate: 23 sec)
Protection grade	IP65
Operating temperature	-20°C -45 C
Battery voltage	14 . 8V
Battery capacity	2000mAh
Battery charging	Charging: 0 - 100%, 2 .5h
Battery endurance	Continuous operation for 27 minutes without load
	Continuous operation for 20min (lamp holder)
Product size & weight	Motorized Yoke: 800 * 580 * 140mm, 25.8kg
	28mm support pillar: 1 . 2kg
	Lifting hook: X2: 1.2kg
Packing size & weight	920 * 270 * 715mm, 9kg
Net weight of single item	28.2kg
Gross weight of single item	37.2kg

## Pitch and Horizontal Ranges for Compatible Accessories

Model	Pitch range	Horizontal range
F14 Fresnel	±120°	540°
Narrow Reflector	±135°	540°
Medium Reflector	±135°	540°
Wide Reflector	±135°	540°
Spotlight MAX	±135°	540°
Light Dome II	±115°	540°
Light Dome 150	±100°	540°
Light Dome 120	±105°	540°
Lantern 90	±110°	540°
Lantern	±120°	540°
Light Dome I	±115°	540°

*Note: As the accessories ecosystem of Aputure keeps increasing and improving, please follow the official website for the latest list of compatible accessories!*

# Safety Instructions

When using this product, basic safety precautions should always be followed, including:

1. Read and understand all instructions before using the fixture.
2. Close supervision is necessary when any fixture is used by or near children. Do not leave the fixture unattended while in use.
3. Care must be taken as burns can occur from touching hot surfaces.
4. Do not operate the fixture if any cord is damaged, or if the fixture has been dropped or damaged, until it has been examined by qualified service personnel.
5. Position any power cables such that they will not be tripped over, pulled, or put into contact with hot surfaces.
6. If an extension cord is necessary, a cord with an amperage rating at least equal to that required by the fixture should be used. Cords rated for less amperage will overheat.
7. Always unplug the lighting fixture from the electrical outlet before cleaning and servicing, or when not in use. Never yank the cord to remove the plug from the outlet.
8. Let the lighting fixture cool completely before storing. Unplug the cables from the lighting fixture and store them in assigned spaces of the carrying case (if being used).
9. Do not immerse this fixture in water or any other liquid to avoid electric shock.
10. Do not disassemble the fixture to avoid the risk of fire or electric shock.

Contact [cs@aputure.com](mailto:cs@aputure.com) or take the lighting fixture to qualified service personnel when service or repair is required. Incorrect reassembly may cause electric shock when the lighting fixture is in use.

11. Using any accessory attachment not recommended by the manufacturer may increase the risk of fire, electric shock or injury to any persons operating the fixture.

12. Power this fixture by connecting it to a grounded outlet.

13. Remove the Protective Cover before use.

14. Do not block the ventilation openings or look at the LED light

source directly when it is powered on. Do not touch the LED light source in any condition.

15. Do not place the product near combustible and volatile solvents to avoid product damage.

16. Use a soft and dry cloth to clean the device.

17. Ensure all the ports and plugs are completely dry when using the fixture in wet environments to avoid short circuit or electric shock.





18. Service and maintenance should only be carried out by authorized service personnel. Any malfunctions caused by unauthorized disassembly are not covered by the warranty. The user may pay for service and maintenance.
19. When hanging the fixture overhead, always ensure an extra safety measure has been attached -such as safety chains- that is certified for the weight of the fixture.  
We recommend only using the original Aputure cable accessories. Please note that any malfunctions caused by using unauthorized accessories are not covered by the warranty. The user may pay for service and maintenance. When hanging the fixture overhead, always ensure an extra safety measure has been attached -such as safety chains- that is certified for the weight of the fixture.
20. This product is certified by RoHS, CE, KC, PSE, and FCC. Please operate the product in full compliance with relevant country's standards. Any malfunctions caused by incorrect use are not covered by the warranty. The user may pay for service and maintenance.
21. The User's Manual was formulated based on rigorous tests performed by the Company. No further notice will be given in the event of any change in its design and specifications.

# FCC Declaration of Conformity

## WARNING

Changes or modifications to this product that are not expressly approved by the manufacturer are prohibited and voids the user warranty.

## ATTENTION

This equipment has been tested and found to comply with the limits for a Class B digital device, pursuant to Part 15 of the FCC Rules. These limits are designed to provide reasonable protection against harmful interference in a residential installation. This equipment generates, uses, and can radiate radio frequency energy and, if not installed and used in accordance with the instructions, may cause harmful interference to radio communications. However, there is no guarantee that interference will not occur in a particular installation.

If this equipment does cause harmful interference to radio or television reception, which can be determined by turning the equipment off and on, the user is encouraged to try to reorient or relocate the receiving antenna.

- Increase the separation between the equipment and receiver.
- Plug the device into the socket of a different circuit than the socket that the receiver is plugged into.
- Consult the dealer or experienced radio/TV technician for assistance.

## RF Statement

This device has been evaluated to meet general RF exposure requirements.

# Disclaimer

Please read the Product Manual before usage to ensure that you have fully understood the instructions and can correctly operate the device. After your reading, please keep the Product Manual properly for reference in the future. If you fail to operate the product correctly, you may get injured seriously or harm others seriously, or damage the product and result in your property damage. Your operation of the product will be deemed that you have understood, recognized and accepted all clauses and content of this document. Users undertake to be responsible for their behaviors and the consequences accordingly. Aputure will not be responsible for all losses arising from users' operation of this product not in accordance with the User's Manual.

The Company reserves the right for the final explanation of this document and all documents relating to the product on the premise of compliance with laws and regulations. No further notice will be given in the event of any update, revision or termination. Please access the official website of Aputure for the up-to-date product information.