

# Motorized F14 Fresnel

Product Manual

English

# Table of Contents

Introduction .....	03
Components List .....	04
Product Overview .....	05
Setup.....	06
Attaching the F14 to the F14 Removable Yoke .....	06
Attaching the Skid to the CS15/XT26 .....	06
Barn Doors Installation.....	07
Safety Cable Installation .....	08
Attaching the CS15/XT26 to the F14 Fresnel .....	08
Operating Instructions .....	09
Controlling using the integrated Control Knob.....	09
Controlling from the CS15/XT26 Control Box.....	09
DMX .....	09
Art-Net & sACN.....	09
CRMX .....	10
Sidus BT.....	10
Enabling the F14 for DMX Control .....	10
Controlling the F14 with the CS15/XT26 Control Box Interface.....	11
Accessory Control .....	11
Product Specifications.....	12
Photometric Data .....	13
Safety Instructions .....	14
FCC Declaration of Conformity.....	15
RF Statement .....	15
Disclaimer .....	16

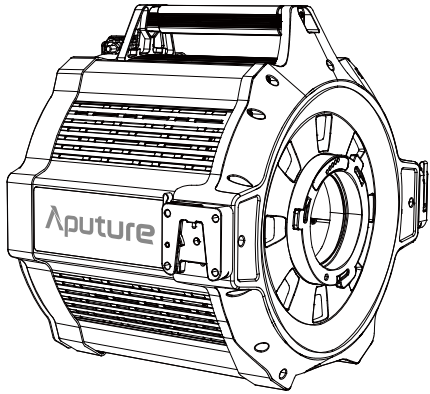
## Introduction

The Aputure Motorized F14 Fresnel is an optical focusing lens attachment for the Electro Storm CS15 and XT26. The F14 allows the ability to adjust the beam angle accurately and conveniently utilizing its internal motor. Combined with the newly developed Aputure Mount, the user can control the F14 in multiple ways : using the onboard control knob and display, using the Control Box of the light, or remotely using DMX , Art-Net/sACN, CRMX and Sidus BT.

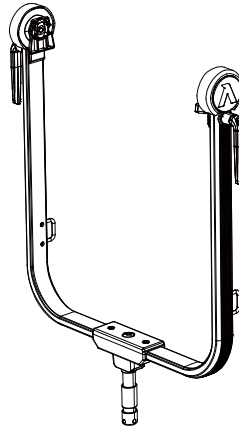
# Components List

Please check whether the following items are contained in the package before using the product.

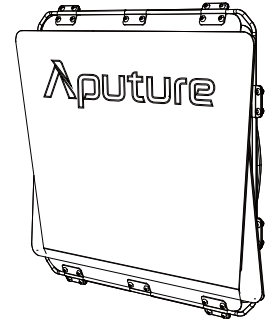
Please contact your dealer if there are any missing items.



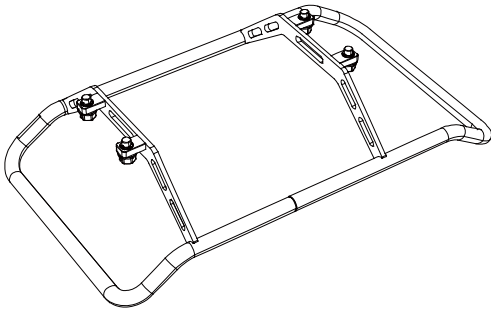
Motorized F14 Fresnel x1



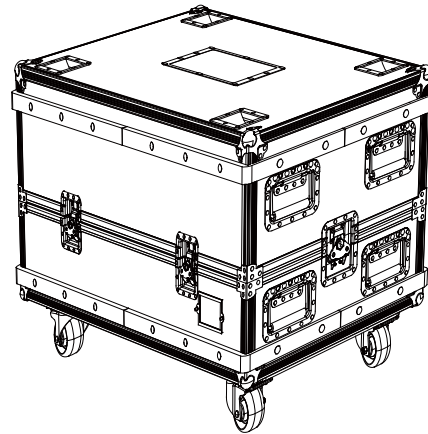
Removable Yoke for F14 Fresnel x1



F14 Fresnel Barn Doors x1



Skid for CS15/XT26 x1

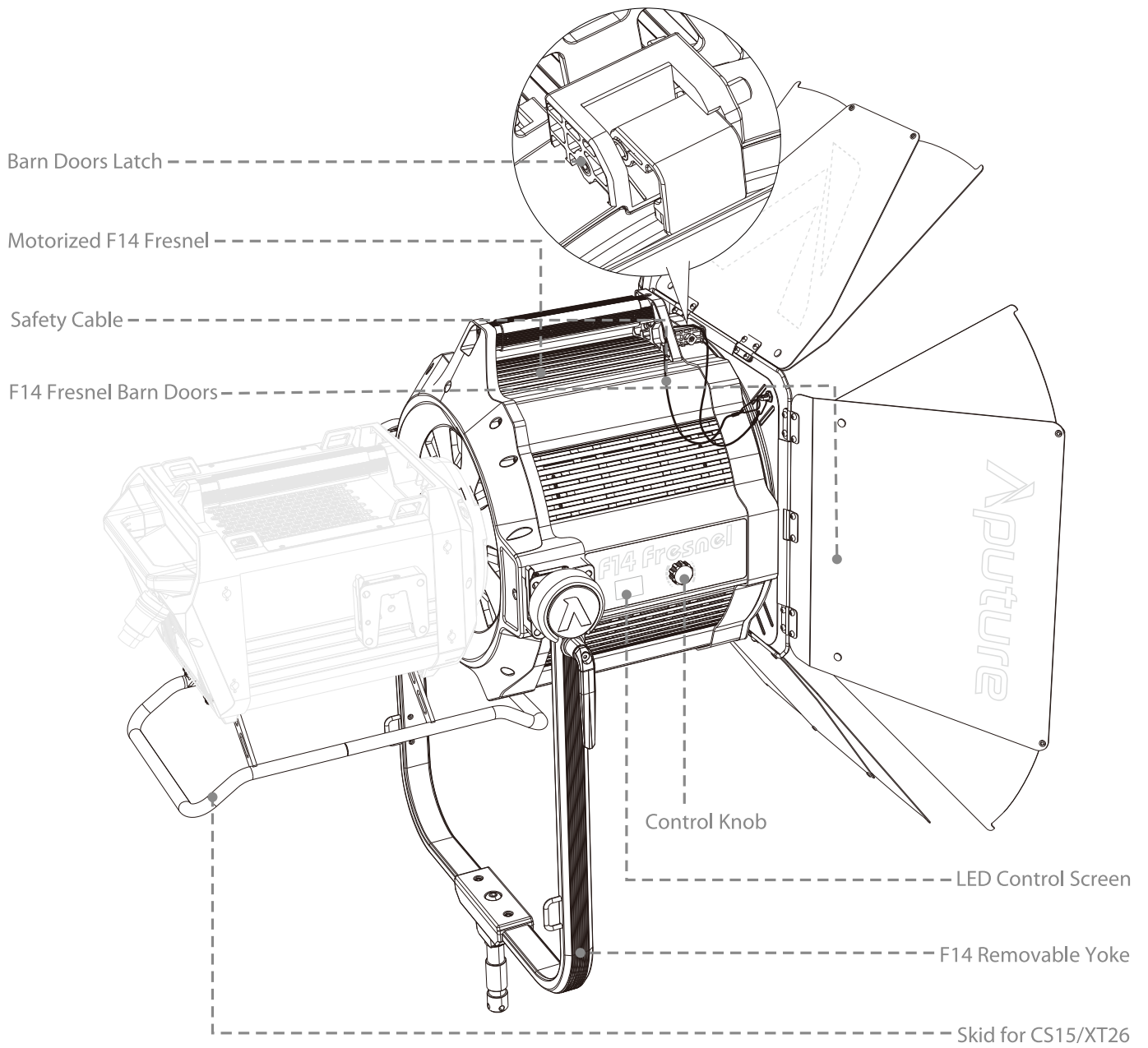


Flight Case for F14 Fresnel x1

**Note:**

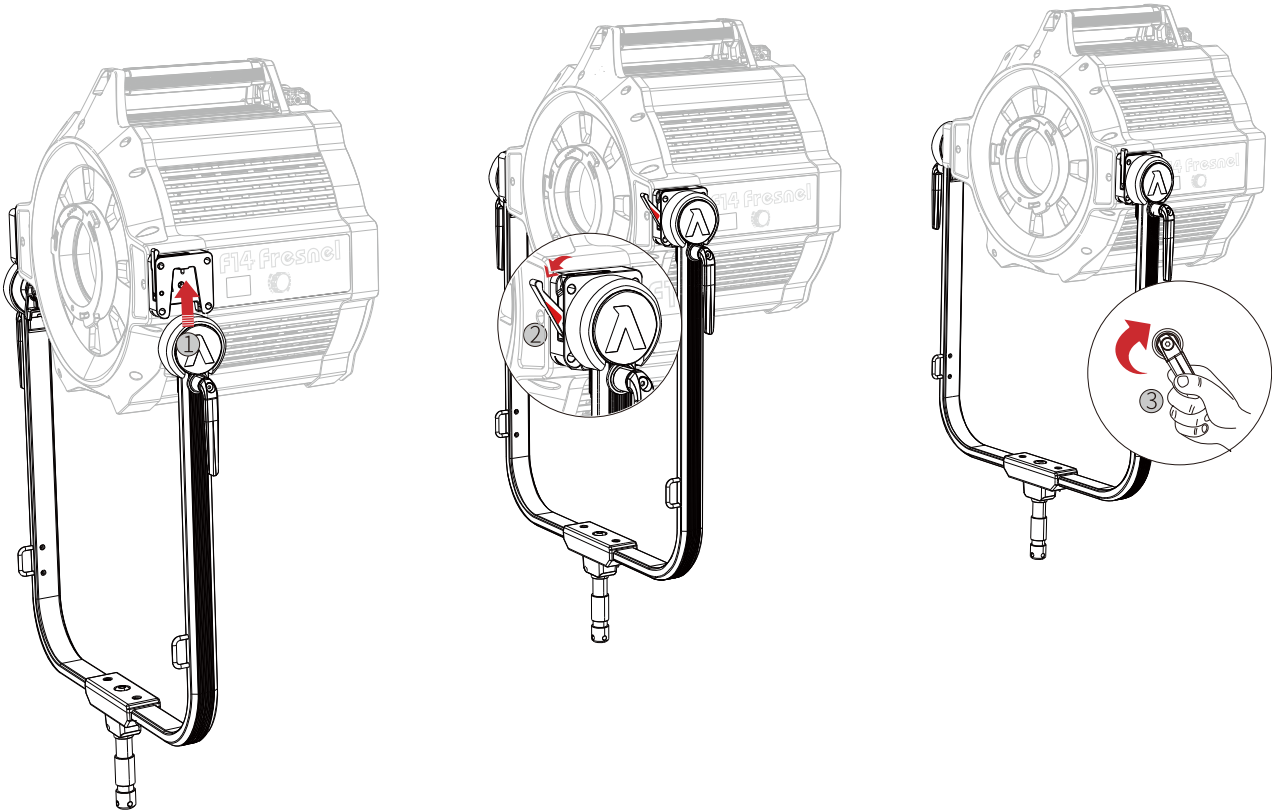
*All illustrations in this Manual are for reference only. The physical product may differ from the schematic diagram due to continuous updates and upgrades.*

# Product Overview



# Setup

## Attaching the F14 to the F14 Removable Yoke

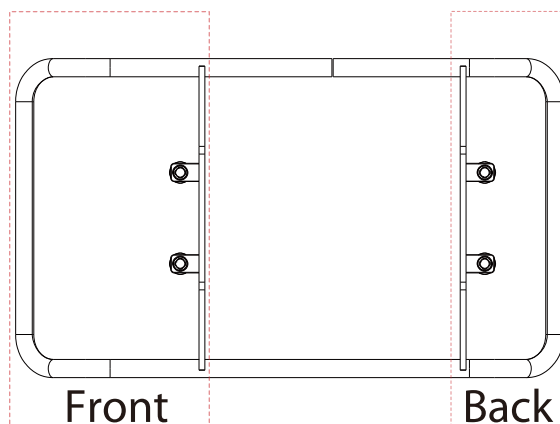


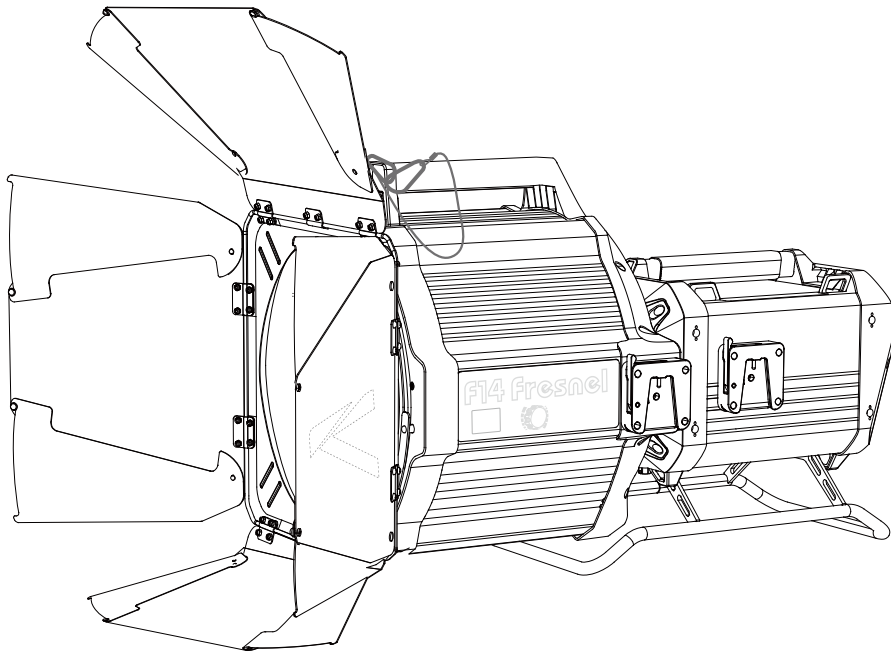
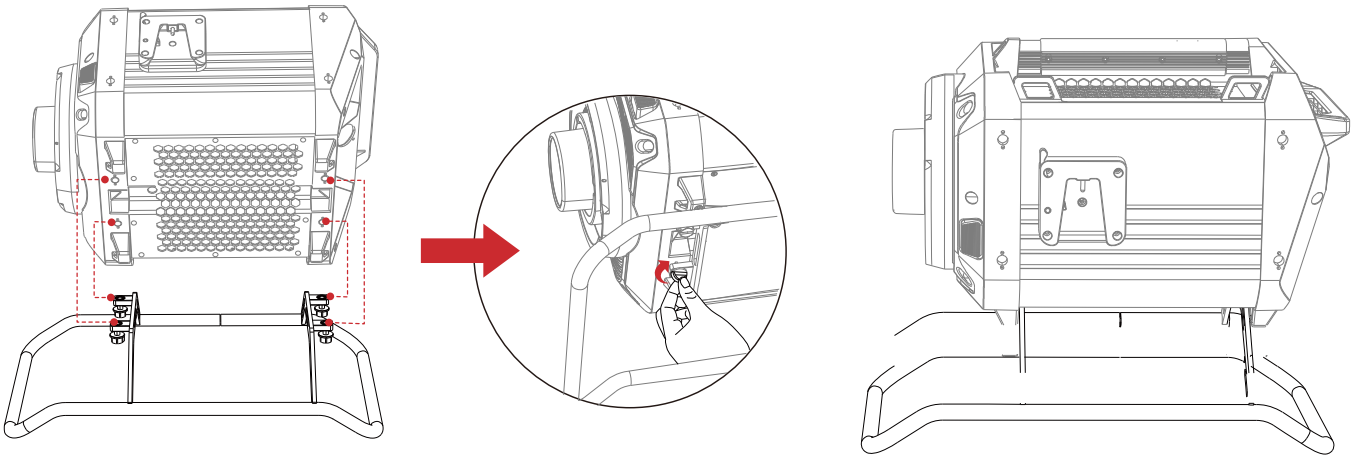
\* The Yoke Release Levers will display red on the sides if the lamp is not completely seated and locked. Please re-align and insert the lamp again until the Yoke Release Levers show no red and a "click" noise of the plate locking has been heard.

## Attaching the Skid to the CS15/XT26

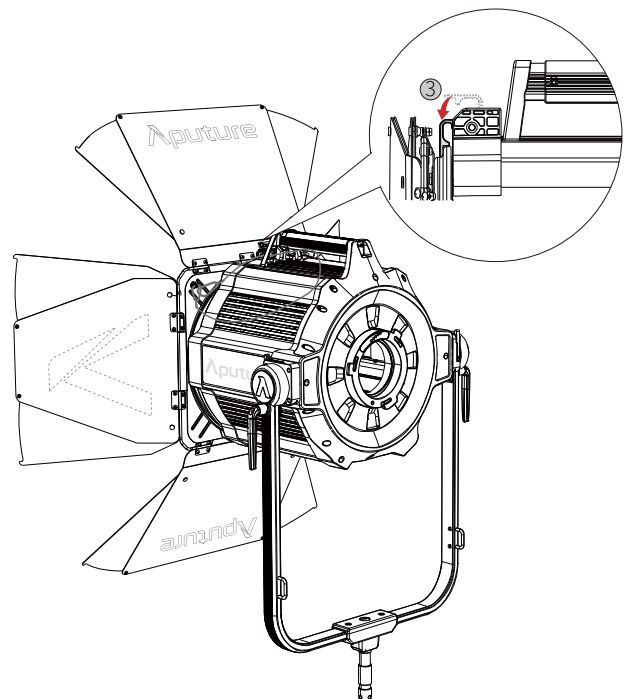
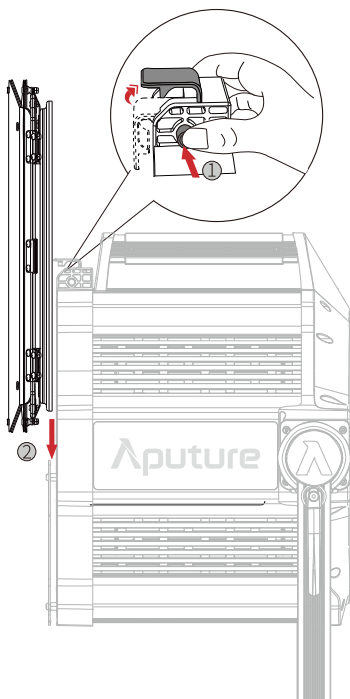
\* Pay attention to Skid direction

\* The Skid allows for F14 lens clearance when used on the ground.

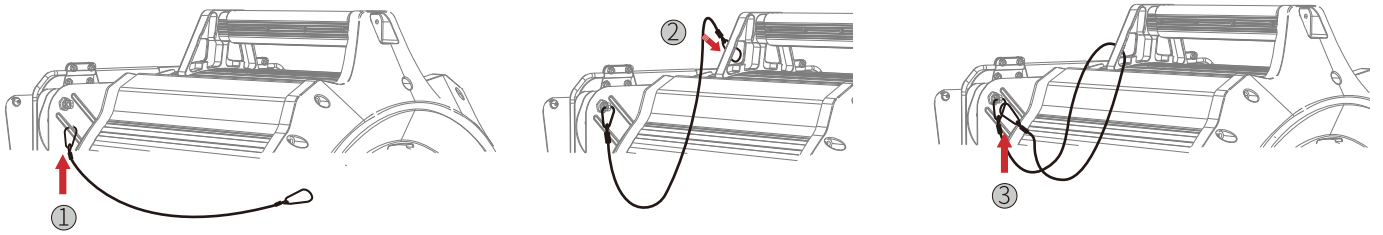




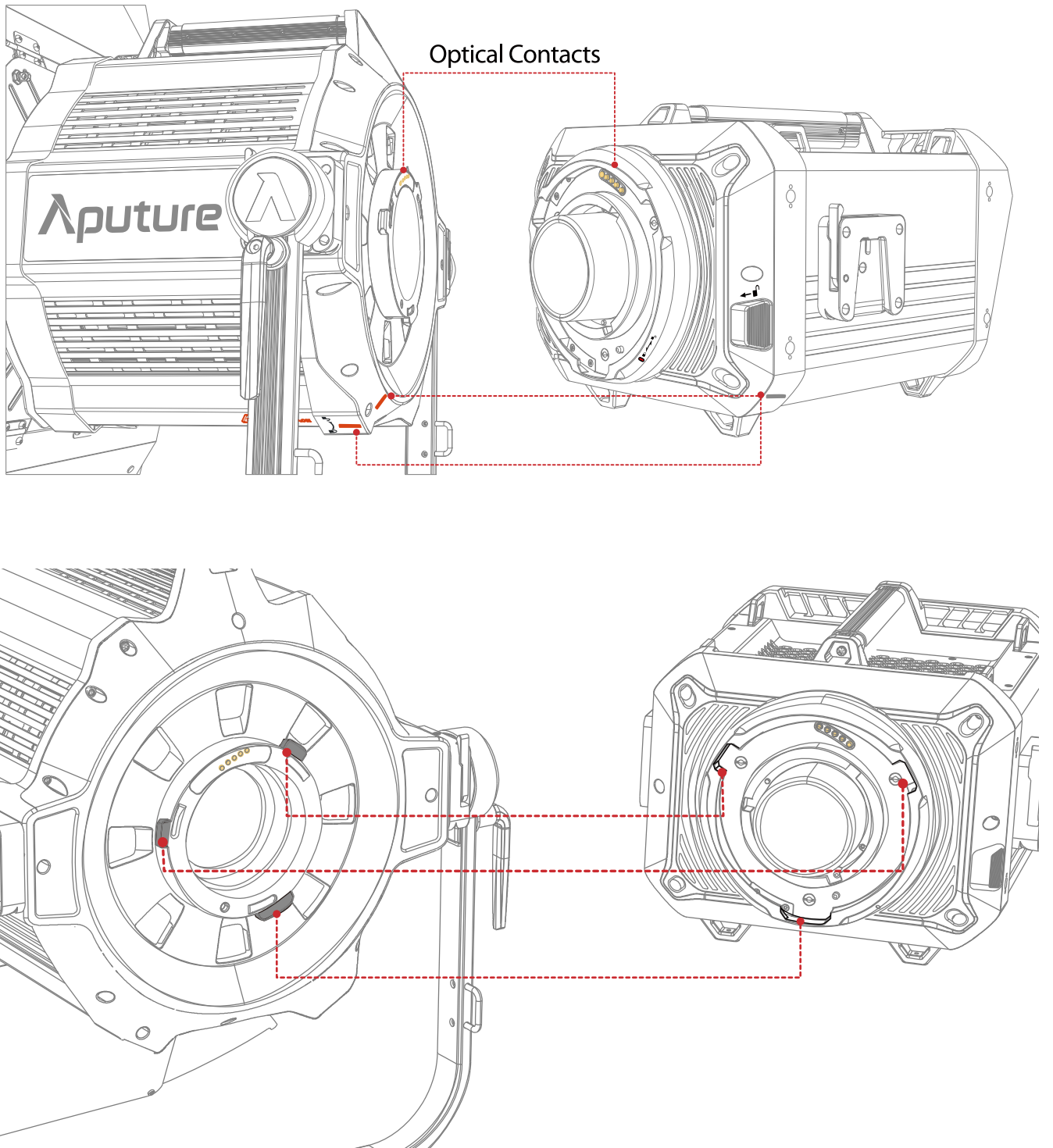
## Barn Doors Installation



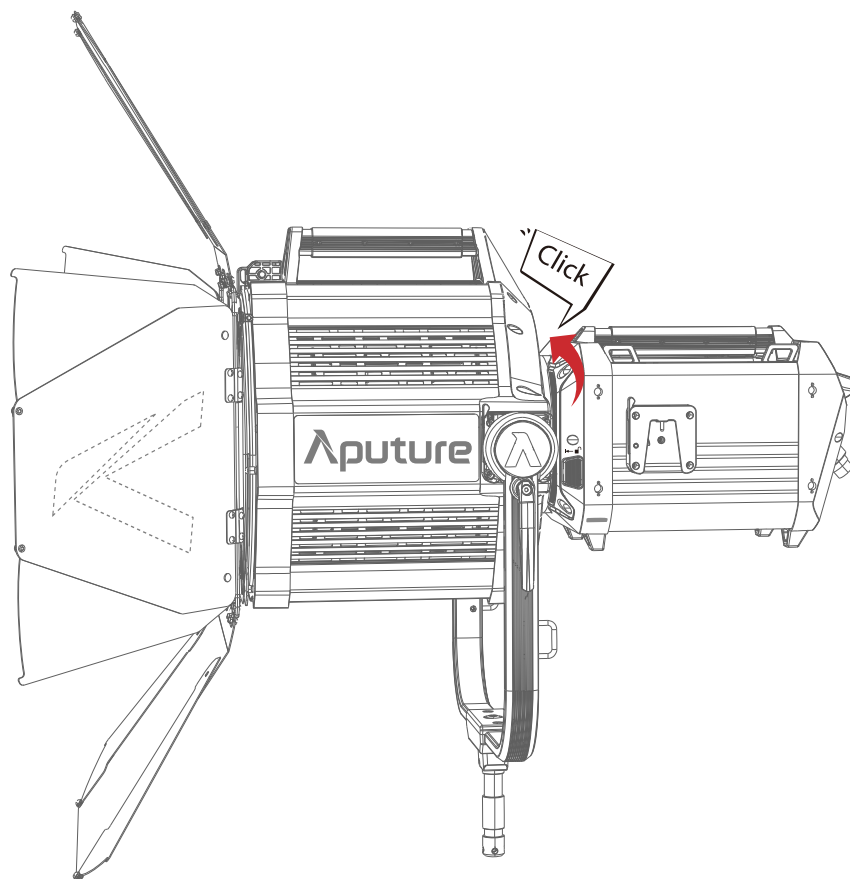
## Safety Cable Installation



## Attaching the CS15/XT26 to the F14 Fresnel







## Operating Instructions

### Controlling using the integrated Control Knob

Rotating the Control Knob adjusts the Fresnel beam angle. Press and hold the Control Knob to recalibrate the Fresnel and reset to 50° beam angle.

### Controlling from the CS15/XT26 Control Box

Go to the Accessory menu on the Control Box. Using the Control Knob on the Control Box, users can adjust the Fresnel beam angle and run the calibration process by selecting the "Reset Position" option.

### DMX

Wired DMX control of the F14 Motorized Fresnel can be achieved utilizing the 5-pin XLR port on the CS15/XT26 Control Box. Please refer to the CS15/XT26 DMX Profile Charts for detailed information. NOTE: Motorized Accessory must be enabled in the DMX Profile Extension Menu.

### Art-Net & sACN

Wired Art-Net/sACN control of the F14 Motorized Fresnel can be achieved via the LAN port on the CS15/XT26 Control Box. Please refer to the CS15/XT26 DMX Profile Charts for detailed information. NOTE: Motorized Accessory must be enabled in the DMX Profile Extension Menu.

## CRMX

Wireless CRMX control of the F14 Motorized Fresnel can be set up in the Control System Menu on the CS15/XT26 Control Box. Please refer to the CS15/XT26 Product Manuals and the DMX Profile Charts for detailed information. NOTE: Motorized Accessory must be enabled in the DMX Profile Extension Menu.

## Sidus BT

The F14 Motorized Fresnel can be controlled wirelessly over Sidus BT using the Sidus Link App.

## Enabling the F14 for DMX Control

### Motorized Accessory extension:

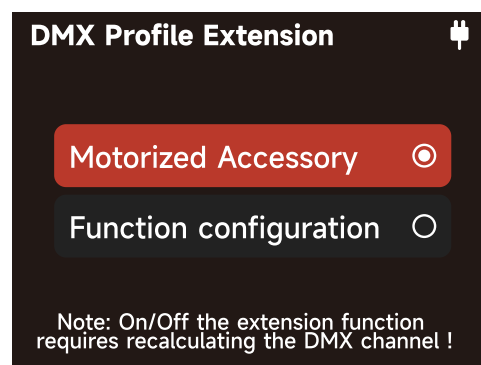
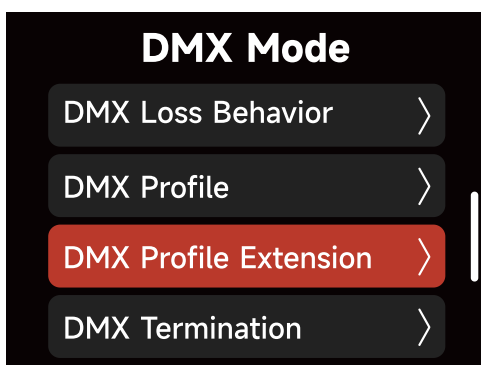
When the Motorized Accessory profile extension is enabled, the DMX profile includes the F14 and Motorized Yoke channels. When disabled, these accessories cannot be controlled.

(Note: Motorized Accessory extension is enabled by default.)

### Function Configuration extension:

When the Function Configuration profile extension is enabled, the DMX profile includes the Fan Mode and Dimming Curve channels.

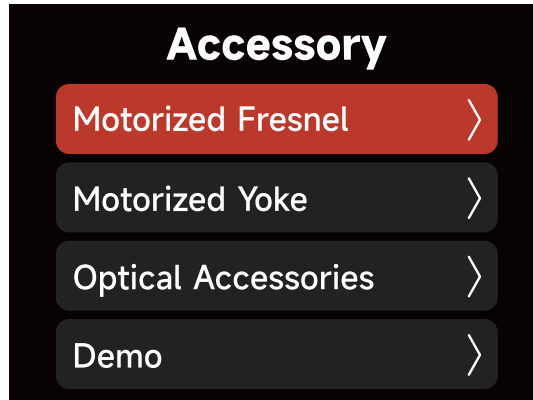
(Note: Function Configuration extension is enabled by default. Function Configuration channels are added after Motorized Accessories channels when both profile extensions are enabled.)



# Controlling the F14 with the CS15/XT26 Control Box Interface

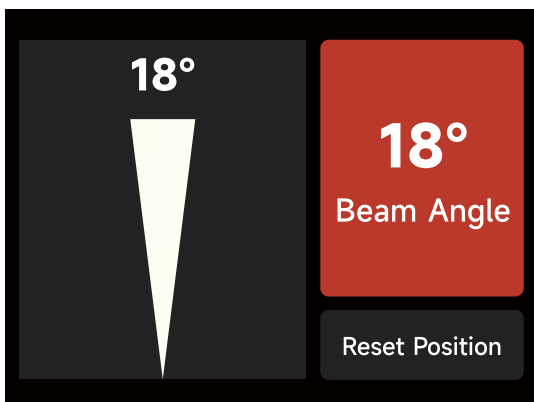
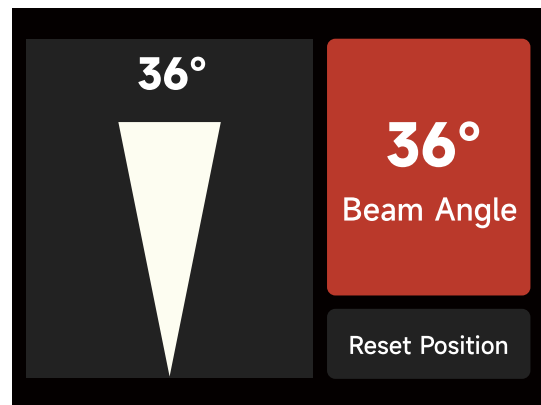
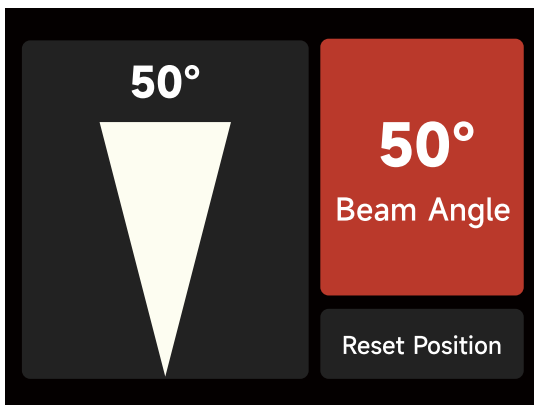
## Accessory Control

The Motorized Fresnel, Motorized Yoke, and other Aputure-Mount Accessories can be purchased separately. In the Accessory interface, information about the accessories can be found and the settings for the accessories can be adjusted.



Motorized Fresnel:

When the fixture is equipped with the Motorized F14 Fresnel, you can enter this interface to manually adjust the beam angle.

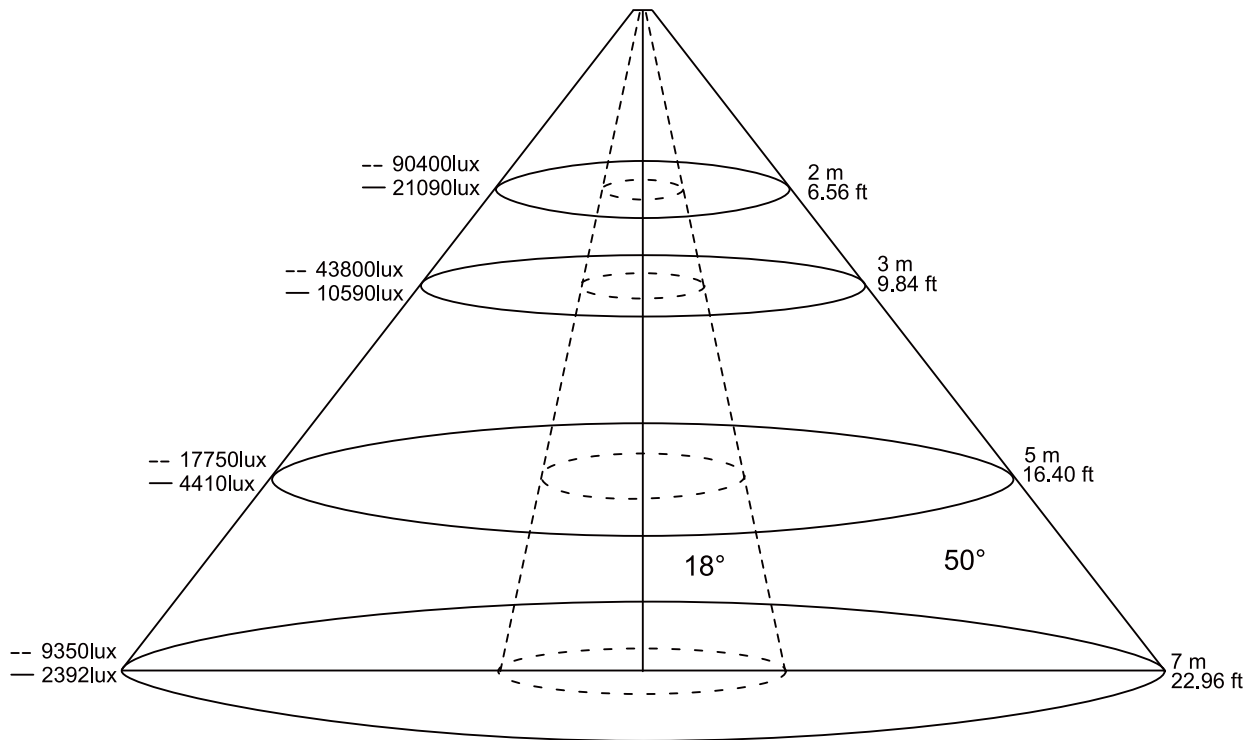


# Product Specifications

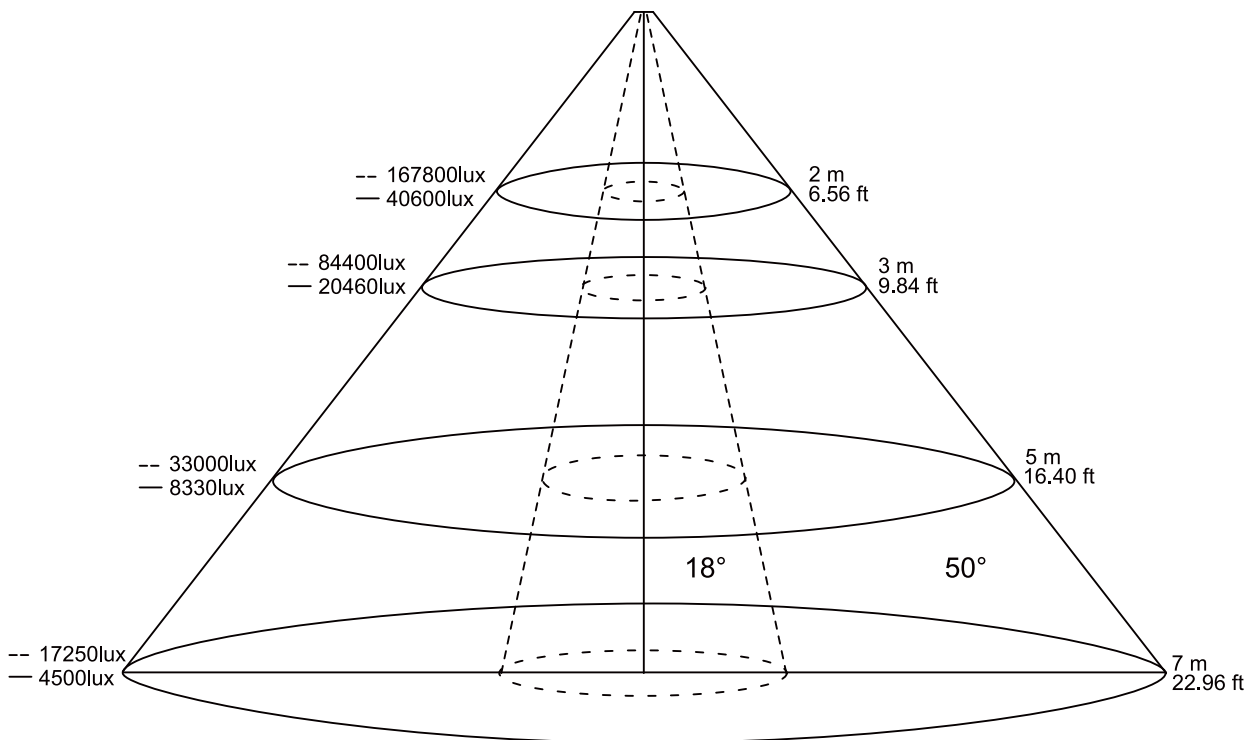
Name	Aputure Motorized F14 Fresnel
Power Consumption	48V 0.4A
Beam Angle Range	18° → 50° (6 seconds across the zoom range at constant speed)
Ingress Protection	IP65
Operating temperature	From 0° C to 45° C
Product dimensions and weights	F14 Fresnel: 14.48 x 19.68 x 18.62in, 28.66lbs/ 368 x 500 x 473mm, 13kg
	Barn Doors: 17.12 x 17.12 x 1.77in, 8.15lbs / 435 x 435 x 45mm (Folded), 3.7kg
	Removable Yoke: 14.48 x 25.39 x 31.88in, 7.71lbs / 368 x 645 x 810mm, 3.5kg
	Skid: 18.93 x 11.02 x 5.19 in, 2.20lbs/ 481 x 280 x 132mm, 1kg
Flight Case Dimensions and Weight	38.18 x 30.51 x 28.93in, 121.25lbs/ 970 x 775 x 735mm , 55kg
Net product weight	46.73lbs/ 21.2kg
Gross product weight	167.99lbs/ 76.2kg

# Photometric Data

## Electro Storm CS15



## Electro Storm XT26



\* This is an averaged at 5600K result, the number might be slightly different on each light.

--- Spot

— Flood

# Safety Instructions

1. Please read this product manual carefully.
2. Keep this product manual. Always include this product manual when passing the product(s) on to third parties.
3. Heed all warnings and follow all instructions in this product manual.
4. Only use a microfiber or dry cloth to clean the product.



Warning: Do not place the product near any corrosive chemicals. Corrosion may cause the product to malfunction.

5. Operate with caution - dropping or hitting the product may cause damage, and/or malfunction.
6. Keep all liquids away from the product. Liquids entering the product can short-circuit the electronics or damage the mechanics.
7. Store the product in a dry, clean, dust-free environment.
8. Please contact authorized maintenance personnel when maintenance is needed. There are precision electronic circuits in this product. Failure caused by unauthorized disassembly is will void the warranty, but users can opt for paid repairs.
9. This product has been certified by CE, RoHS, UKCA, FCC. Please adhere to the operation standards. The warranty does not cover repairs arising out of misuse of the product, and users may opt for paid repairs.
10. This user guide is based on strict testing conducted by our company. Design and specifications are subject to change without prior notice.
11. Caution - breaking glass. Replace broken glass elements immediately. Do not use an accessory with broken glass.
12. Caution - take care not to crush fingers when closing the Barn Doors Latch or attaching the Motorized F14 Fresnel onto Electro Storm CS15/XT26.

## FCC Declaration of Conformity

### WARNING

Changes or modifications to this product that is not expressly approved by the party responsible for compliance could void the user's authority to operate the equipment.

### NOTICE

This equipment has been tested and found to comply with the limits for a Class B digital device, pursuant to Part 15 of the FCC Rules. These limits are designed to provide reasonable protection against harmful interference in a residential installation. This equipment generates, uses, and can radiate radio frequency energy and if not installed and used in accordance with the instructions, may cause harmful interference to radio communications. However, there is no guarantee that interference will not occur in a particular installation.

If this equipment does cause harmful interference to radio or television reception, which can be determined by turning the equipment off and on, the user is encouraged to try reorienting or relocating the receiving antenna.

- Increase the separation between the equipment and receiver.
- Connect the equipment to an outlet on a different circuit than the receiver is connected to.
- Consult the dealer or an experienced radio/TV technician for help.

## RF Statement

This device has been evaluated to meet general RF exposure requirements.

## **Disclaimer**

Before using this product, please read the product manual to ensure correct use and complete understanding. After reading, please keep the product manual properly for future reference. Improper operation of this product may result in severe personal injury to yourself or others, as well as potential damage to the product and loss of property. When using this product, it shall be deemed that you have understood, recognized and accepted all clauses and contents of this document. Users assume responsibility for their own conduct and any resulting consequences. Aputure is not liable for any damages suffered as a result of the user's failure to use the product in accordance with Product Manual. Please visit the official Aputure website for the latest product information.