

# Spotlight Max

**Product Manual**

English

# Introduction

Thank you for purchasing the Aputure Spotlight Max.

The Spotlight Max is a Bowens Mount projection lens modifier designed to bring an advanced degree of control to high-output Bowens Mount point-source fixtures from the LS 600d Pro and LS 1200d Pro to the Electro Storm CS15 and Electro Storm XT26, transforming them into a powerful spotlight with a further reach and even, shapeable output. Featuring a precision optical design and advanced telecentric lens technology, the Spotlight Max produces an illumination circle with even edge-to-edge light distribution and minimal edge fringing.

Available in 19°, 36°, and 50° lens options, the Spotlight Max and its interchangeable lenses cover a wide range of light projection needs on set. For further light manipulation, the optional dual-layer Spotlight Max Iris can quickly hone the shape and size of the illumination circle. It also features a Rotatable Gobo Holder compatible with A Size and B Size steel or glass gobos. For maximum compatibility, the Spotlight Max is compatible with ETC projection lenses using the optional Spotlight Max ETC Lens Adapter.

# Table of Contents

<b>Safety Instructions</b> .....	04
<b>Components List</b> .....	05
<b>Product Overview</b> .....	06
<b>Product Details</b> .....	06
<b>Installation Instructions</b> .....	07
<b>Installing Spotlight Max Rotating Gobo Holder</b> .....	07
<b>Installing and Removing Spotlight Max Lens</b> .....	08
<b>Installing and Removing Spotlight Max Removable Yoke</b> .....	08
<b>Installing Spotlight Max Iris (sold separately)</b> .....	09
<b>Installing Spotlight Max ETC Adapter (sold separately)</b> .....	09
<b>Operation Instructions</b> .....	10
<b>Focus Adjustment</b> .....	10
<b>Tilt Angle Adjustment</b> .....	10
<b>Four-Leaf Sgutter Operation</b> .....	10
<b>Photometrics</b> .....	11

# Safety Instructions

To ensure safe use of the Spotlight Max, always follow basic safety precautions, including:

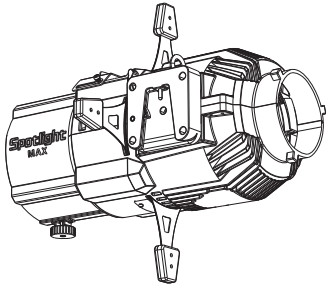
1. Read and understand all instructions before use.
2. Allow accessories to cool completely before storing them in the case. Remove the Spotlight Max from the fixture and let it cool to room temperature before placing it in the designated position in the safety case. Placing it directly into the case while hot can weaken the shock-absorbing material inside.
3. Before installing the fixture, check if the accessory holder is locked and if any safety cables for the accessory are properly connected.
4. Installing accessories will increase the weight at the front of the fixture. Take care to prevent accidental movement of the fixture when adjusting its tilt angle.
5. Using non-manufacturer recommended accessories may cause melting, fire, or personal injury.
6. Do not block the heat dissipation vents while the product is in operation, and do not look directly into the light beam. Do not touch the lens under any circumstances.
7. Do not place the product near flammable or volatile solvents to avoid damage.
8. The product contains a glass lens. Handle it with care to avoid lens damage.
9. If the lens shows severe scratches or is broken, do not use the accessory. It must be replaced when damaged.
10. When cleaning the lens, use a soft cloth with a mild cleaning agent to remove dirt. Do not use strong cleaning agents.
11. Contact authorized repair personnel for any necessary repairs. The device contains precision lens structures. Unauthorized disassembly will void the warranty, but users can opt for paid repairs.
12. When suspending the product overhead, ensure additional safety measures, such as using a certified safety chain capable of supporting the product's weight.
13. Prolonged use of this accessory may result in high surface temperatures. Take precautions to avoid burns and use heat-resistant gloves when handling.
14. This product is RoHS certified. Please refer to relevant national standards for use and operation. Damage to the machine due to improper use or operation is not covered by the warranty, but users can opt for paid repairs.
15. This user guide is based on strict testing conducted by our company. Design and specifications are subject to change without prior notice.

## WARNING

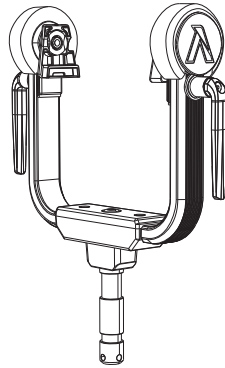
**Changes or modifications not expressly approved by the party responsible for compliance could void the user's authority to operate the equipment.**

# Components List

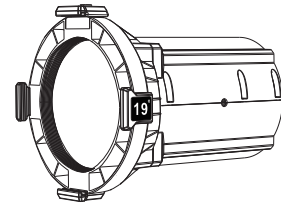
Please make sure all items listed below are found in the packaging before using. If not, please contact your seller immediately.



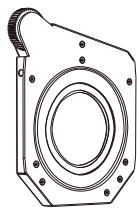
Spotlight Max x1



Spotlight Max Removable Yoke x1



Spotlight Max 19° OR 36° OR 50° Lens (Depending on Kit) x1



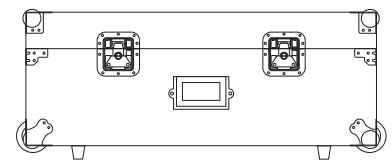
Rotatable Gobo Holder x1



A Size Gobo x3



Safety Chain x1



Rolling Hard Case x1

Additional Accessories (Sold Separately):

Spotlight Max Iris

Spotlight Max ETC Lens Adapter

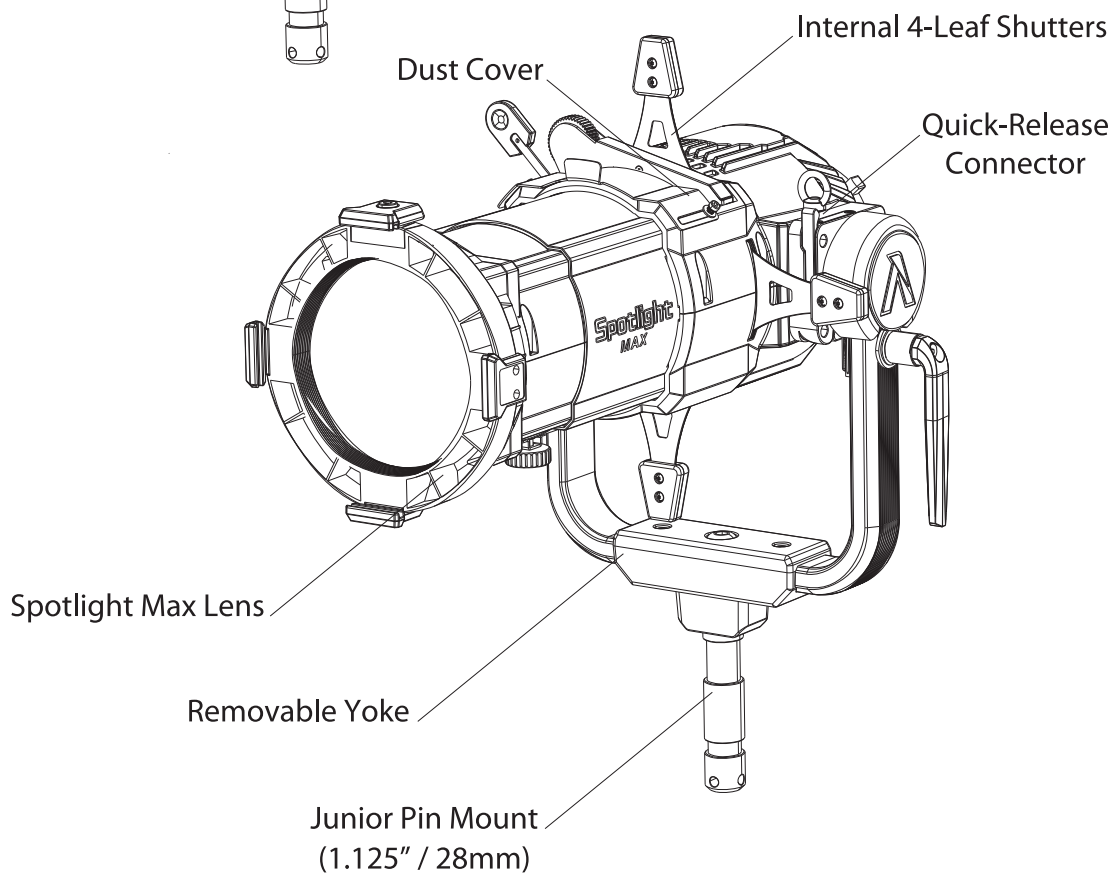
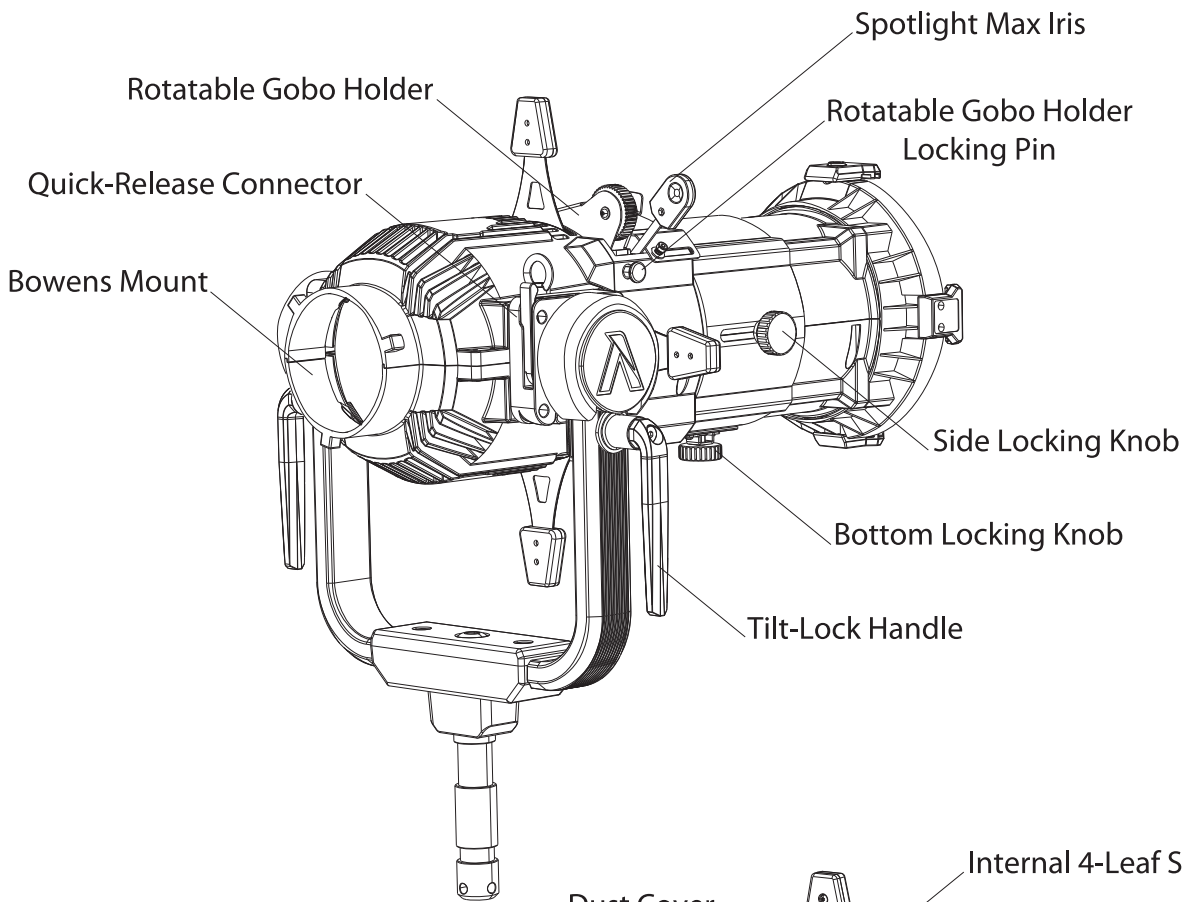
10 Piece Gobo Kit (A Size)

Note: The 19°, 36°, and 50° Lens Spotlight Max Kits have different lens beam angles, but the other accessories remain the same.

Note: The illustrations in the manual are only diagrams for reference. Due to the continuous development of new versions of the product, if there are any differences between the product and the user manual diagrams, please refer to the product itself.

# Product Overview

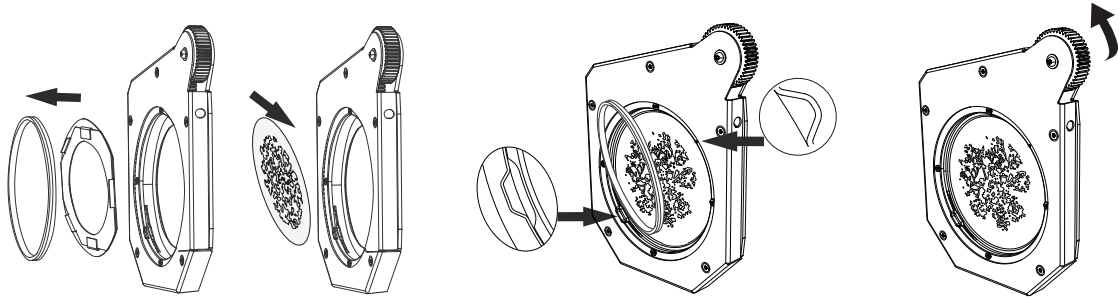
## Product Details



# Installation Instructions

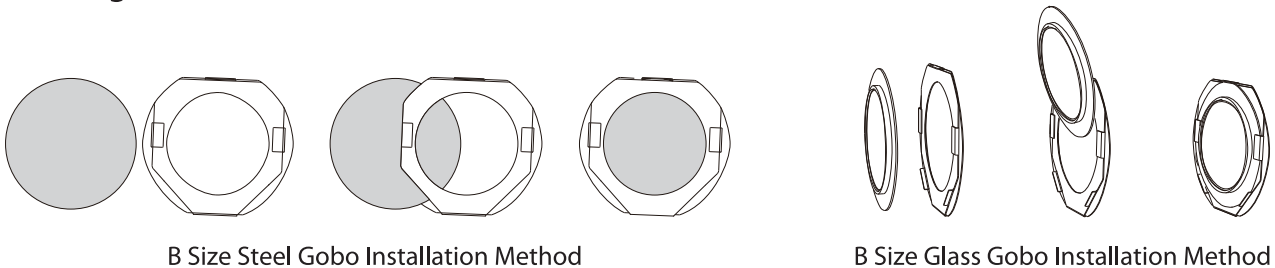
## Installing Spotlight Max Rotatable Gobo Holder

### Installing A Size Steel or Glass Gobo



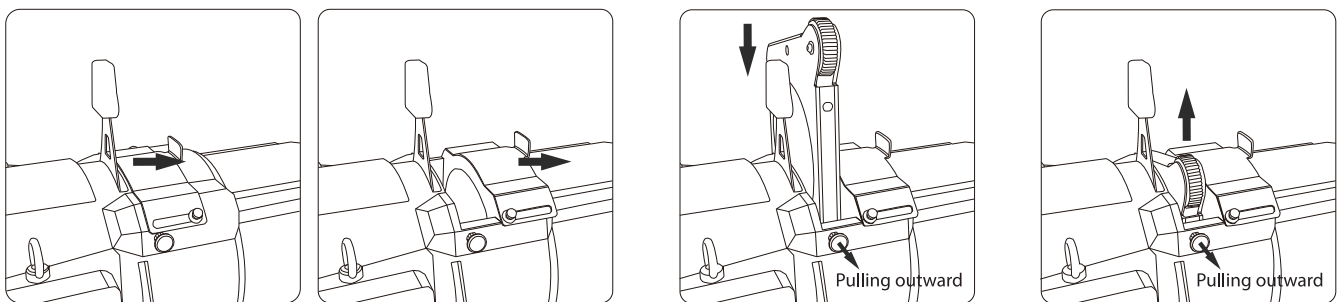
1. Push out the retaining ring from the Gobo holder and insert the A Size Gobo at an angle into the rotating Gobo holder.
2. Align one side of the retaining ring with the trapezoidal marking and then press down at the triangular notch to ensure the retaining ring is properly inserted into the Gobo Holder.
3. Turning the gear above allows you to adjust the angle of the Gobo pattern.

### Installing B Size Steel or Glass Gobo



1. As shown in above illustration, insert the B size Steel or Glass Gobo into the B Size Gobo Adapter.
2. Follow the installation method used for A Size Gobo and proceed with the installation. The fixture can now be used with the B Size Gobo.

### Installing the Rotatable Gobo Holder



Slide the dust cover to open it

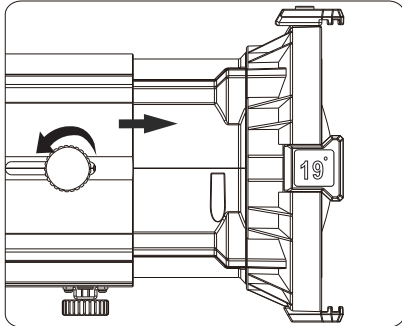
Pull the locking pin  
to insert the Rotatable  
Gobo Holder

Pull the locking pin  
to remove the  
Rotatable Gobo Holder

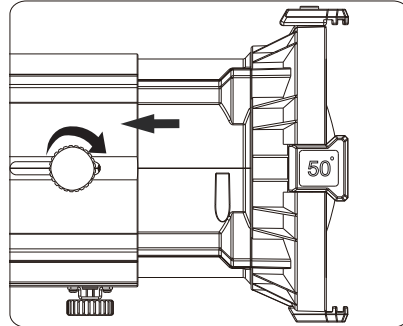
Note: When installing the Rotatable Gobo Holder, make sure the rotating gear and the locking pin are aligned on the same side.

Note: The components of this product may deform slightly or experience other issues such as smoke or discoloring after being exposed to high temperatures. These are expected behavior. Melting of any plastic parts or excessive amount of smoke can be deemed abnormal.

## Installing and Removing Spotlight Max Lens



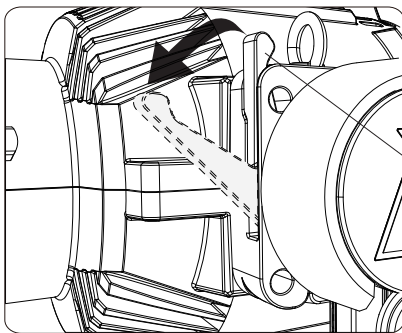
Replacing a Spotlight Max Lens



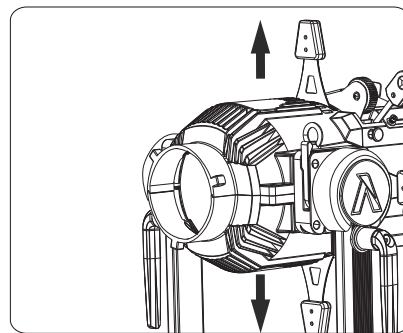
Installing a Spotlight Max Lens

1. Rotate the Side Locking Knob counterclockwise to remove it. Pull out the existing lens and place it on a flat, safe area to prevent any damage to the optical elements.
2. Insert the new lens into the fixture barrel. Reattach the Side Locking Knob and rotate it clockwise to secure the lens in place.
3. To adjust the focus, loosen the Side Locking Knob slightly, slide the lens to a desired position, and fasten the Side Locking Knob to lock its position.

## Installing and Removing Spotlight Max Removable Yoke



Pull out to the dashed line position.



Installing:

1. Ensure the mounting brackets on the Removable Yoke are in the correct orientation to accept the Quick-Release Connectors on the Spotlight Max.
2. Lower the Spotlight Max onto the Removable Yoke while aligning the quick-release brackets and connectors. There should be a clear clicking sound when the Locking Levers are engaged.

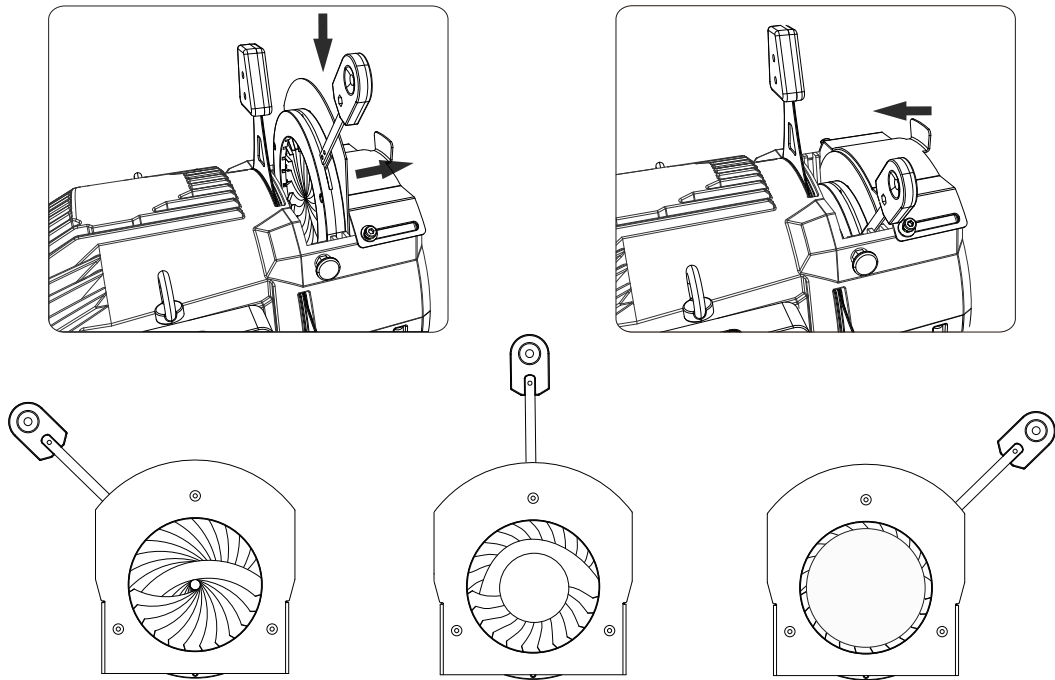
Removing:

Pull out the Locking Lever of the Quick-Release Connectors on both sides and lift the Spotlight Max upward to detach it from the brackets.

Note: Ensure both Tilt-Lock Handles are tightened while installing the Removable Yoke, as the fixture may be front or back-heavy and tilt down violently upon letting go.

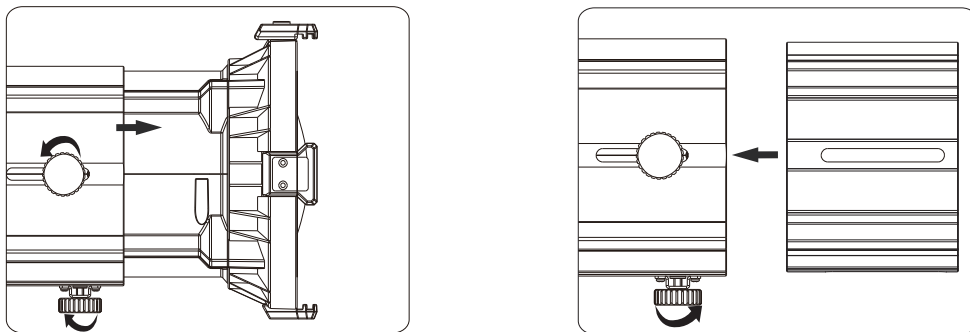


## Installing Spotlight Max Iris (sold separately)



1. Slide the Dust Cover to open it, and insert the Iris in the designated slot.
2. Slide the Dust Cover back until the top of the Iris is secured by the cover, to prevent the Iris from falling out when the fixture is tilted upside down.
3. Adjust the the position of the Iris handle to close down the aperture and achieve the desired beam effect.

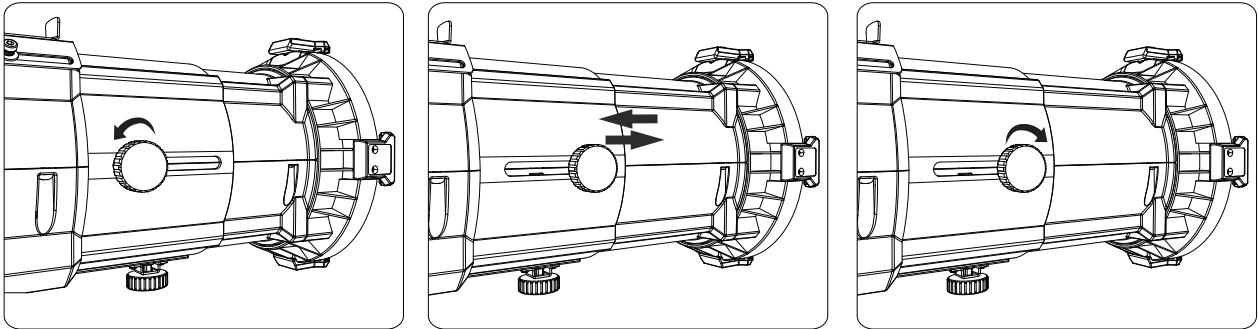
## Installing Spotlight Max ETC Lens Adapter (sold separately)



1. Rotate and remove/release the Locking Knob on the side and the bottom of the fixture. Remove the lens from the Spotlight Max if there is one installed.
2. Insert the ETC Lens Adapter into the barrel of the fixture and ensure that the slot cut out on the side of the adapter is aligned with the cutout on the barrel. Once aligned, tighten the Bottom Locking Knob to secure the adapter in place.
3. Rotate and remove the Locking Knob on the ETC lens. Insert the lens into the adapter and ensure that the female threaded hole is aligned with the cutout on the barrel of the Spotlight Max. Re-install the Locking Knob from the ETC lens, adjust the lens position to achieve the desired focus, and tighten the Locking Knob to fix the lens in place.

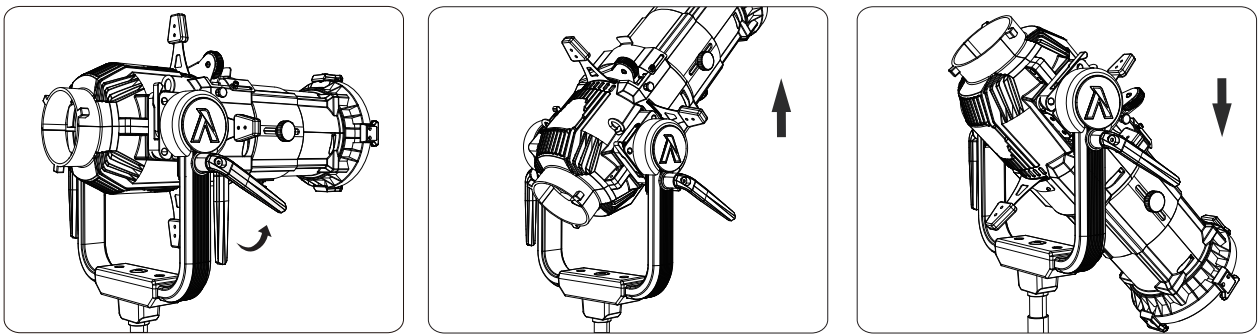
# Operation Instructions

## Focus Adjustment



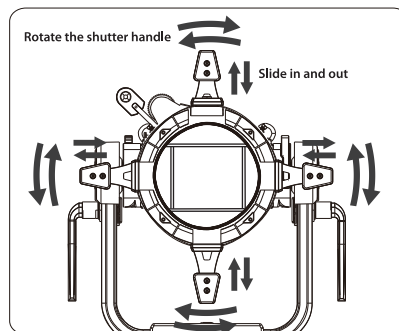
1. Rotate the Side Locking Knob counterclockwise to release the lens tube.
2. Slide the lens backwards and forward to achieve the desired focus.
3. Tighten the Side Locking Knob to secure the focus.

## Tilt Angle Adjustment



1. To adjust the tilt angle of the Spotlight Max, hold the fixture in place and loosen both Tilt-Lock Handles.
2. Adjust the tilt angle of the fixture until it reaches the desired position.
3. Tighten the Tilt-Lock Handles to secure the fixture in place.

## Four-Leaf Shutter Operation



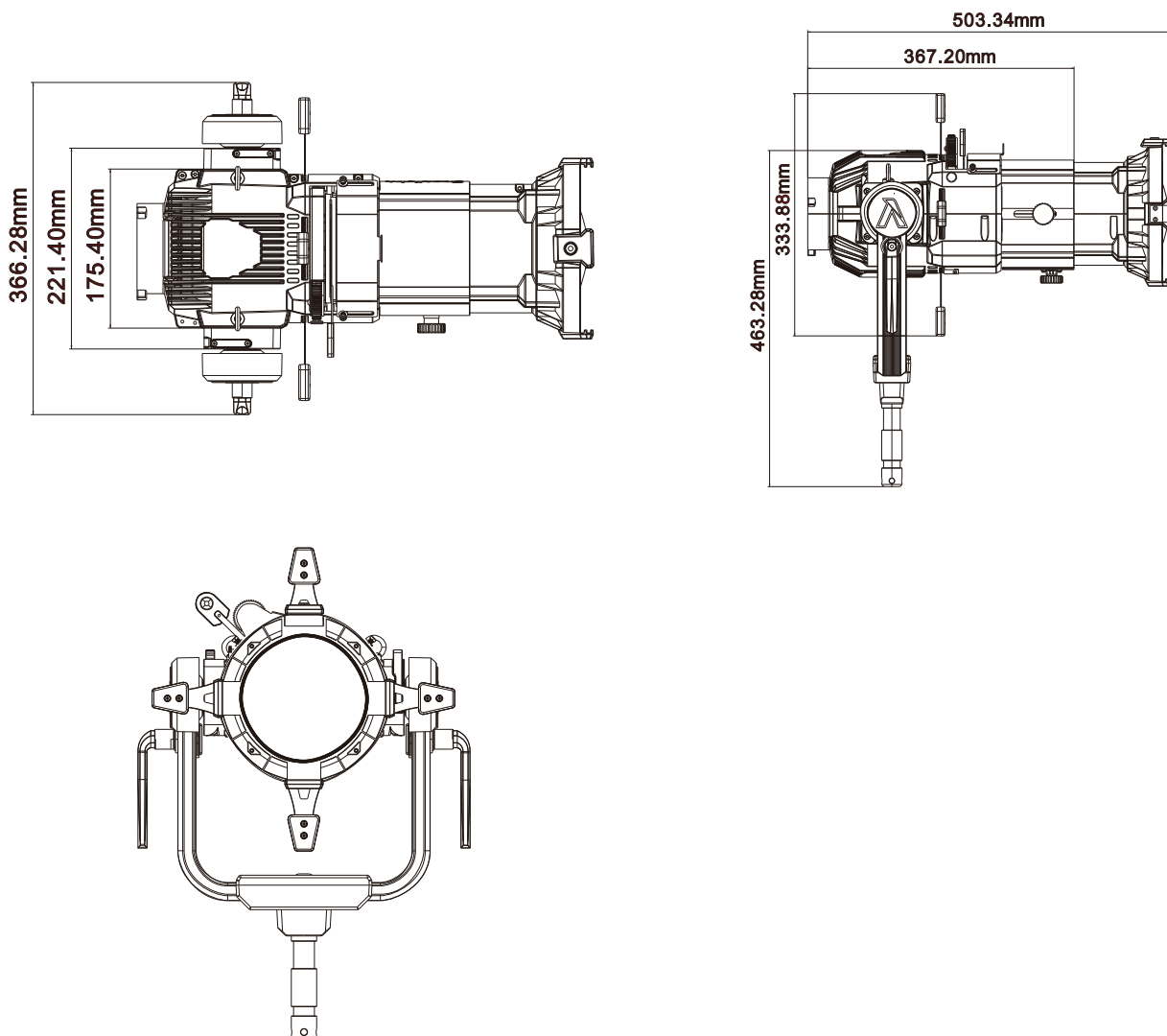
Spotlight Max has 4 shutters allowing users to precisely shape the light beam. Each shutter can be adjusted independently by rotating or sliding them within their range of motion.

# Photometrics

5600K		19°			36°			50°		
Model	Dis- tance	Beam diameter	Lux	Fc	Beam diameter	Lux	Fc	Beam diameter	Lux	Fc
LS 600d Pro	3m	98.5cm	17,776	1,652	191cm	5,370	499	298cm	2,165	201
LS 600x Pro			8,810	819		2,905	270		1,144	106
LS 600c Pro			4,830	449		1,976	184		876	81
LS 1200d Pro			15,430	1,433		5,130	477		2,342	218
ES CS15			9,260	860		4,830	449		2,200	204
ES XT26			18,270	1,697		8,520	792		3,870	360
LS 600d Pro	5m	162cm	6,450	599	313cm	2,048	190	490cm	809	75
LS 600x Pro			3,050	283		1,046	97		435	40
LS 600c Pro			1,773	165		787	73		333	31
LS 1200d Pro			5,470	508		1,872	174		842	78
ES CS15			3,470	322		1,824	169		853	79
ES XT26			6,670	620		3,500	325		1,644	153
LS 600d Pro	7m	228cm	3,410	317	434cm	1,198	111	686cm	433	40
LS 600x Pro			1,675	156		565	53		245	23
LS 600c Pro			914	85		379	35		193	18
LS 1200d Pro			2,773	258		972	90		453	42
ES CS15			1,809	168		957	89		441	41
ES XT26			3,200	297		1,767	164		700	65

3200K		19°			36°			50°		
Model	Dis- tance	Beam diameter	Lux	Fc	Beam diameter	Lux	Fc	Beam diameter	Lux	Fc
LS 600x Pro	3m	98.5cm	7,580	704	191cm	2,379	221	298cm	940	87
LS 600c Pro			4,020	374		1,586	147		738	69
ES CS15			8,840	821		4,400	409		2,060	191
ES XT26			13,320	1,237		7,050	655		3,150	293
LS 600x Pro	5m	162cm	2,571	239	313cm	875	81	490cm	363	34
LS 600c Pro			1,435	133		590	55		274	25
ES CS15			3,260	303		1,705	158		781	73
ES XT26			6,670	620		3,500	325		1,644	153
LS 600x Pro	7m	228cm	1,370	127	434cm	450	42	686cm	185	17
LS 600c Pro			737	68		304	28		150	14
ES CS15			1,668	155		876	81		394	37
ES XT26			2,610	242		1,399	130		556	52

Note: The above data is the average data measured in the laboratory, the brightness, color temperature and other parameters of different lamps will have slight differences.



## DISCLAIMER

Before using this product, please read the user manual to ensure correct use under the complete understanding. After reading, keep the product manual properly for future reference. In case of not operating this product correctly, it may seriously harm yourself or others, or result in product damage and property loss. When using this product, it shall be deemed that you have understood, recognized, and accepted all clauses and contents of this document. The user commits to be responsible for their own behaviors and all consequences thereof. Aputure shall not be liable for any loss due to the user not using this product in accordance with the product manual.

Under the laws and regulations, our company holds the final explanation right of this document and all related documents of this product. No prior notice will be given for any updates, revision, or termination. Please visit the official Aputure website for the latest product information.