

CF4 Fresnel

Product Manual

English

Table of Contents

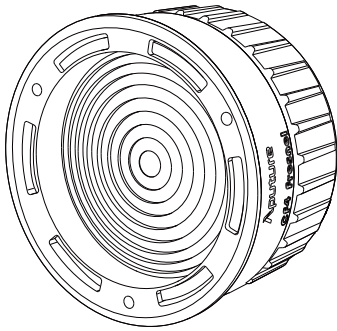
Introduction	03
Components List.....	04
Attaching/Detaching	05
Product Specifications	05
What's in the box?	05
Photometrics.....	06
Safety Instructions.....	07
Disclaimer	08

Introduction

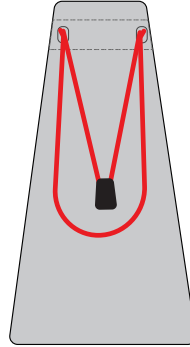
The Aputure CF4 Fresnel is a 4-inch compact Fresnel attachment designed for the STORM 80c and its mini ProLock mount. This optical accessory focuses the light with a beam angle range of 15-40°, providing either increased intensity or an even light spread. The CF4 Fresnel is also compatible with the CF4 Barn Doors.

Components List

Please make sure all accessories listed below are completed before using. If not, please contact with your sellers immediately.



CF4 Fresnel (1 pc)

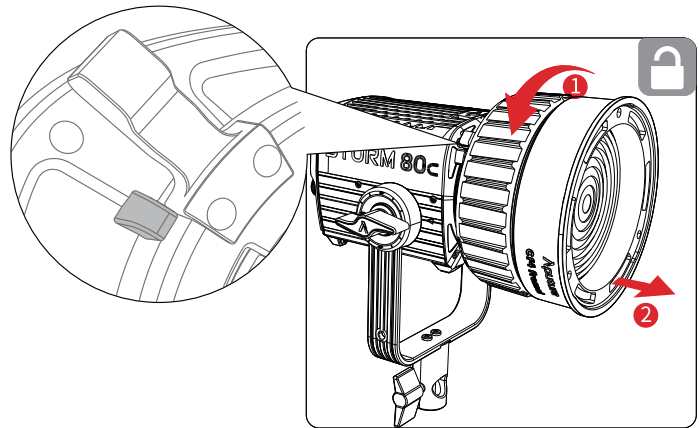
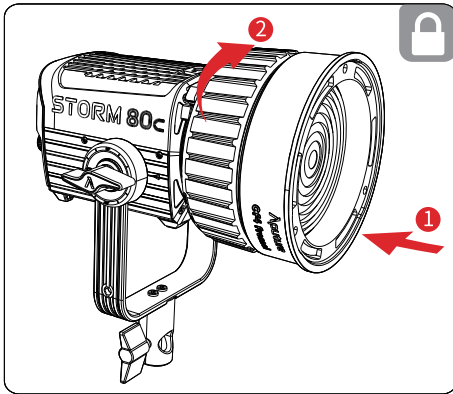


CF4 Fresnel Carrying Bag (1 pc)

** Tips: The illustrations in the manual are only diagrams for reference. Due to the continuous development of new versions of the product, if there are any differences between the product and the user manual diagrams, please refer to the product itself.*

Attaching/Detaching

To attach the CF4 Fresnel, insert it into the Mini ProLock Mount and rotate the Pro-Lock Handle clockwise until it locks. To detach the CF4 Fresnel, rotate the Pro-Lock Handle counterclockwise to the open position and remove the Fresnel.



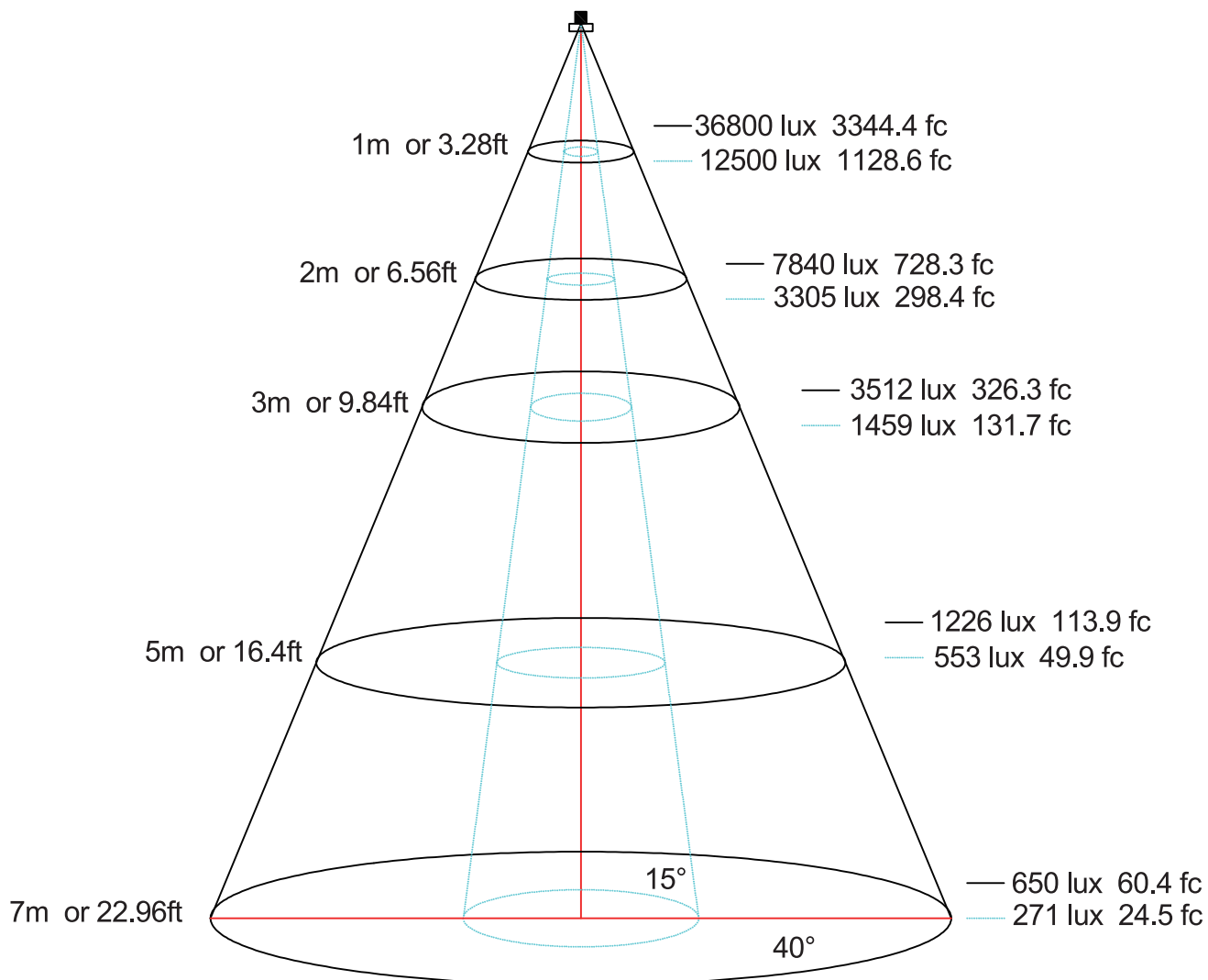
Product Specifications

Beam Angle	15°~40°
Dimensions	Φ14.0 x 8.7cm / Φ5.5 x 3.4 in
	24x15x25cm / 9.44x 5.9 x9.84in
Packing Dimensions	25.5 x17 x15cm/ 10.04x6.69x5.91in
Net Weight	0.53kg / 1.17lbs
Gross Weight	1.075kg/2.37lbs

What's in the box?

Name	Qty
CF4 Fresnel	1
Carrying Bag	1

Photometrics



Safety Instructions

When using this modifier, the basic safety precautions should always be followed, including the following:

1. Read and understand all instructions before using.
2. Close supervision is necessary when any fixture is used by or near children. Do not leave the fixture unattended while in use.
3. Care must be taken as burns can occur from touching hot surfaces.
4. Let the fixture cool completely before storing.
5. To reduce the risk of injury, please install or disassemble the fixture properly.
6. The use of an accessory attachment not recommended by the manufacturer may increase the risk of fire, electric shock, or injury to any persons operating the fixture.
7. Please do not place the fixture near flammable objects.
8. Only use a dry microfiber cloth to clean the product.
9. This product is certified by RoHS. Please operate the product in full compliance with the operation standards. Please note that this warranty does not apply to repairs arising from malfunctions, although you may request such repairs on a chargeable basis.
10. The instructions and information in this manual are based on thorough, controlled company testing procedures. Further notice will not be given if the design or specifications change.

SAVE THESE INSTRUCTIONS

Disclaimer

Please read the Product Manual before usage to ensure that you have fully understood the instructions and can correctly operate the device. After your reading, please keep the Product Manual properly for reference in the future. If you fail to operate the product correctly, you may get injured seriously or harm others seriously, or damage the product and result in your property damage. Your operation of the product will be deemed that you have understood, recognized and accepted all clauses and content of this document. Users undertake to be responsible for their behaviors and the consequences accordingly. Aputure will not be responsible for all losses arising from users' operation of this product not in accordance with the User's Manual.

The Company reserves the right for the final explanation of this document and all documents relating to the product on the premise of compliance with laws and regulations. No further notice will be given in the event of any update, revision or termination. Please access the official website of Aputure for the up-to-date product information.