

CF4 Barn Doors

Product Manual

English

Table of Contents

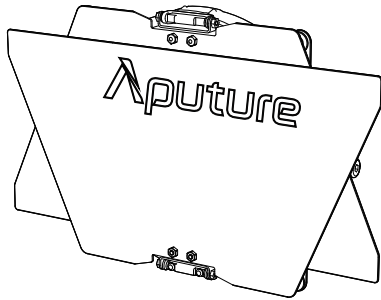
Introduction	03
Components List.....	04
Attaching/Detaching	05
Product Specifications	06
What's in the box?	06
Safety Instructions.....	07
Disclaimer	08

Introduction

The Aputure CF4 Barn Doors are a light-shaping attachment designed for the CF4 Fresnel, allowing for adjustment of light spread and blocking of stray light. The CF4 Barn Doors also support the installation of one 5-inch half or full scrim to further control the light spread.

Components List

Please make sure all accessories listed below are completed before using. If not, please contact with your sellers immediately.

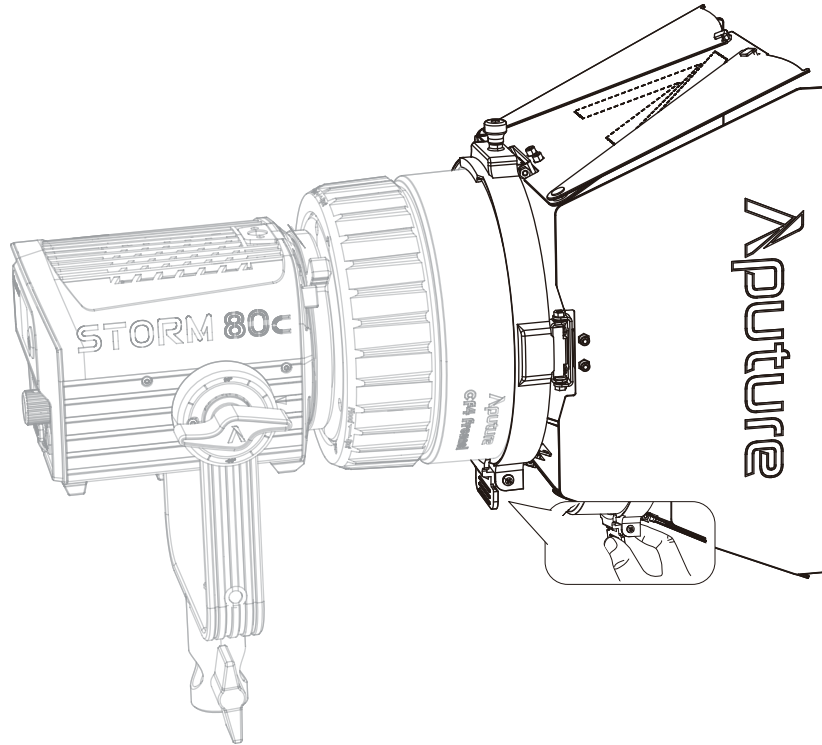


CF4 Barn Doors (1 pc)

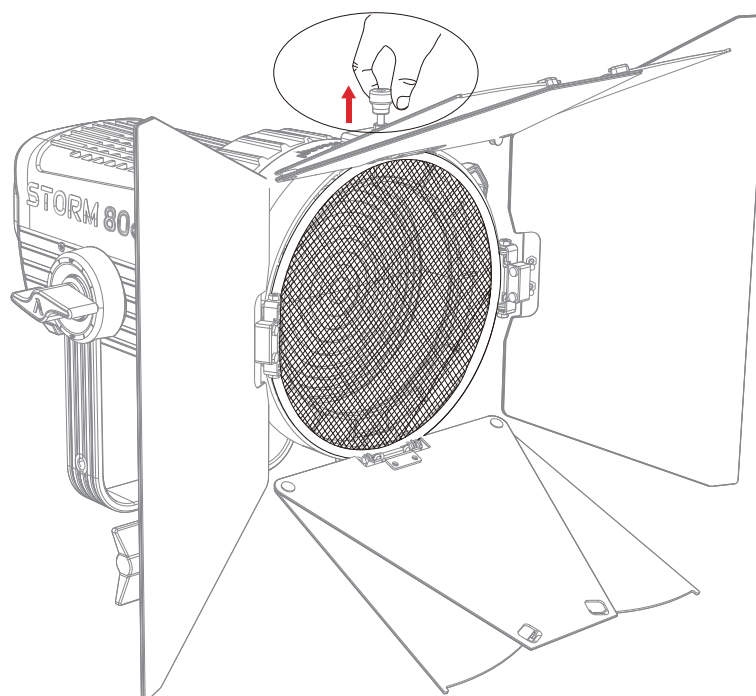
** Tips: The illustrations in the manual are only diagrams for reference. Due to the continuous development of new versions of the product, if there are any differences between the product and the user manual diagrams, please refer to the product itself.*

Attaching/Detaching

To attach the CF4 Barn Doors to the CF4 Fresnel, hook one side of the Barn Doors onto the lip of the Fresnel. Then, press the quick-release latch to fully secure the Barn Doors onto the Fresnel. To remove the Barn Doors, simply reverse this process.



Lift the spring-loaded locking pin, place the 5-inch scrim into its tray, and release the pin to secure the scrim in place.



Product Specifications

Product Name	CF4 Barn Doors
Size	23x14.7x3.15cm / 9.06x5.78x5.90in
Net Weight	0.38kg / 0.83lbs
Packing Dimensions	27 × 17.4 × 5.9cm / 10.63 × 6.85 × 2.32 in
Gross Weight	0.55kg / 1.21lbs

What's in the box?

Name	Qty
Barn Doors	1

Safety Instructions

When using this modifier, the basic safety precautions should always be followed, including the following:

1. Read and understand all instructions before using.
2. Close supervision is necessary when any fixture is used by or near children. Do not leave the fixture unattended while in use.
3. Care must be taken as burns can occur from touching hot surfaces.
4. Let the fixture cool completely before storing.
5. To reduce the risk of injury, please install or disassemble the fixture properly.
6. The use of an accessory attachment not recommended by the manufacturer may increase the risk of fire, electric shock, or injury to any persons operating the fixture.
7. Please do not place the fixture near flammable objects.
8. Only use a dry microfiber cloth to clean the product.
9. This product is certified by RoHS. Please operate the product in full compliance with the operation standards. Please note that this warranty does not apply to repairs arising from malfunctions, although you may request such repairs on a chargeable basis.
10. The instructions and information in this manual are based on thorough, controlled company testing procedures. Further notice will not be given if the design or specifications change.

SAVE THESE INSTRUCTIONS

Disclaimer

Please read the Product Manual before usage to ensure that you have fully understood the instructions and can correctly operate the device. After your reading, please keep the Product Manual properly for reference in the future. If you fail to operate the product correctly, you may get injured seriously or harm others seriously, or damage the product and result in your property damage. Your operation of the product will be deemed that you have understood, recognized and accepted all clauses and content of this document. Users undertake to be responsible for their behaviors and the consequences accordingly. Aputure will not be responsible for all losses arising from users' operation of this product not in accordance with the User's Manual.

The Company reserves the right for the final explanation of this document and all documents relating to the product on the premise of compliance with laws and regulations. No further notice will be given in the event of any update, revision or termination. Please access the official website of Aputure for the up-to-date product information.